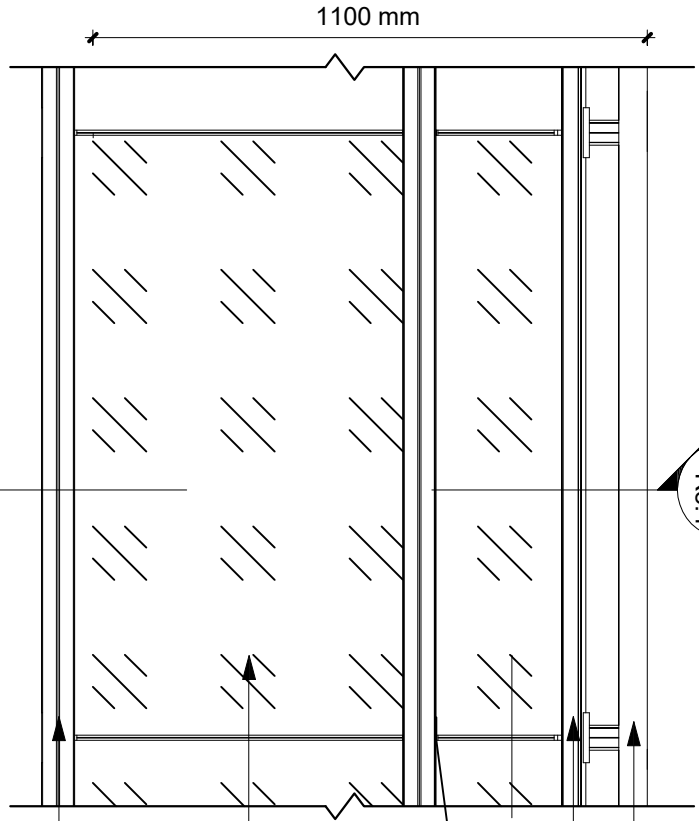
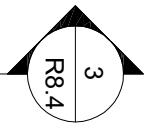
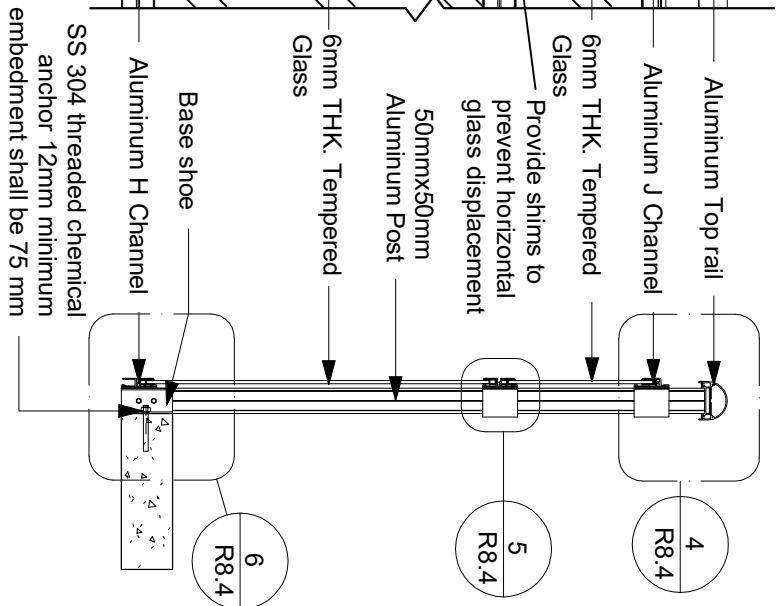


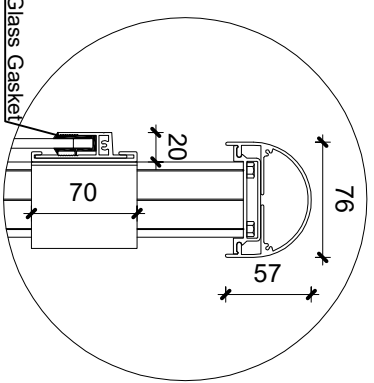
1 Plan
1 : 15



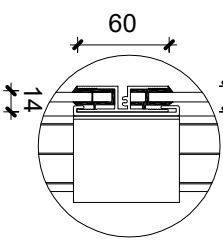
2 Elevation
1 : 15



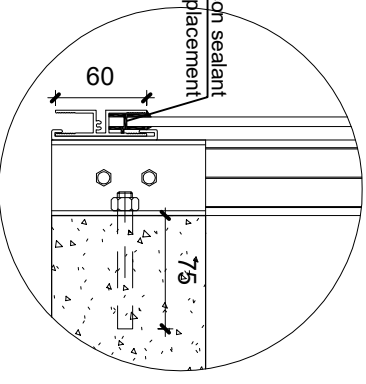
3 Cross section
1 : 15



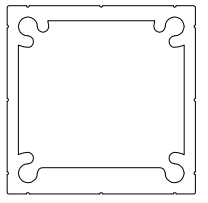
4 Detail 1
1 : 5



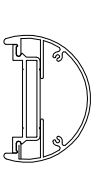
5 Detail 2
1 : 5



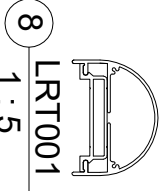
6 Detail 3
1 : 5



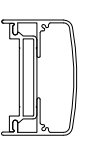
7 LRP001
1 : 2



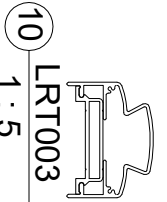
8 LRT002
1 : 5



9 LRT001
1 : 5



10 LRT003
1 : 5



11 LRT004
1 : 5

General Notes

No.	Revision/Issue	Date

Link
RAILINGS
LINK ALUMINUM RAILING
589, MIDDLERFIELD ROAD,
SCARBOROUGH, ON
linkaluminiumrailings@gmail.com

LRDG-0002-A Side Mounted
Clear Double Glass panel
Combined

Project Sheet
Date 22-04-2022 R8.4
Scale N.T.S.