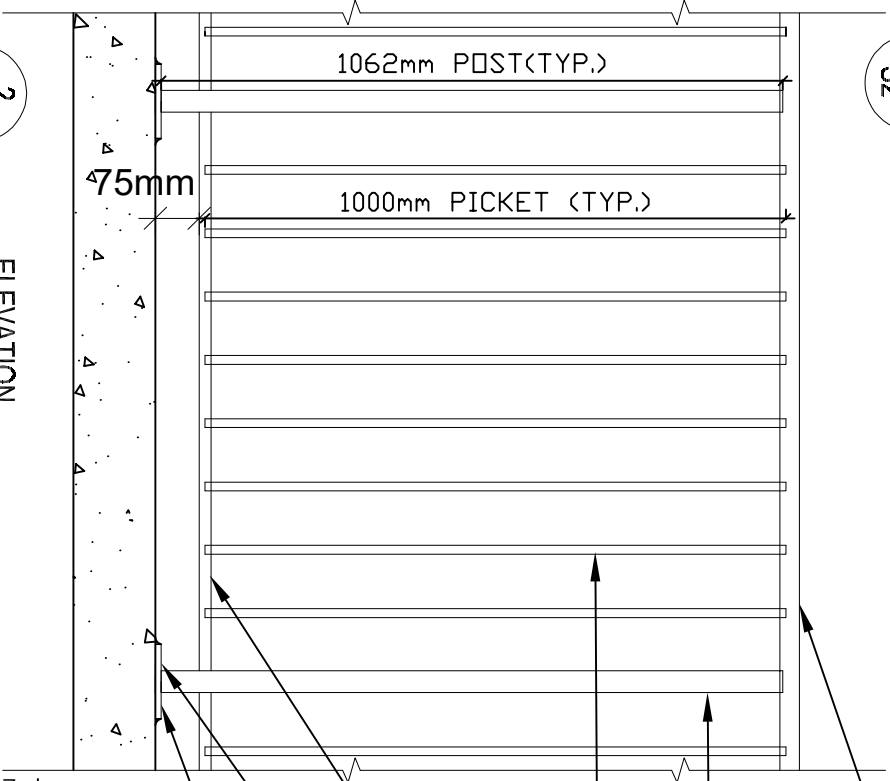
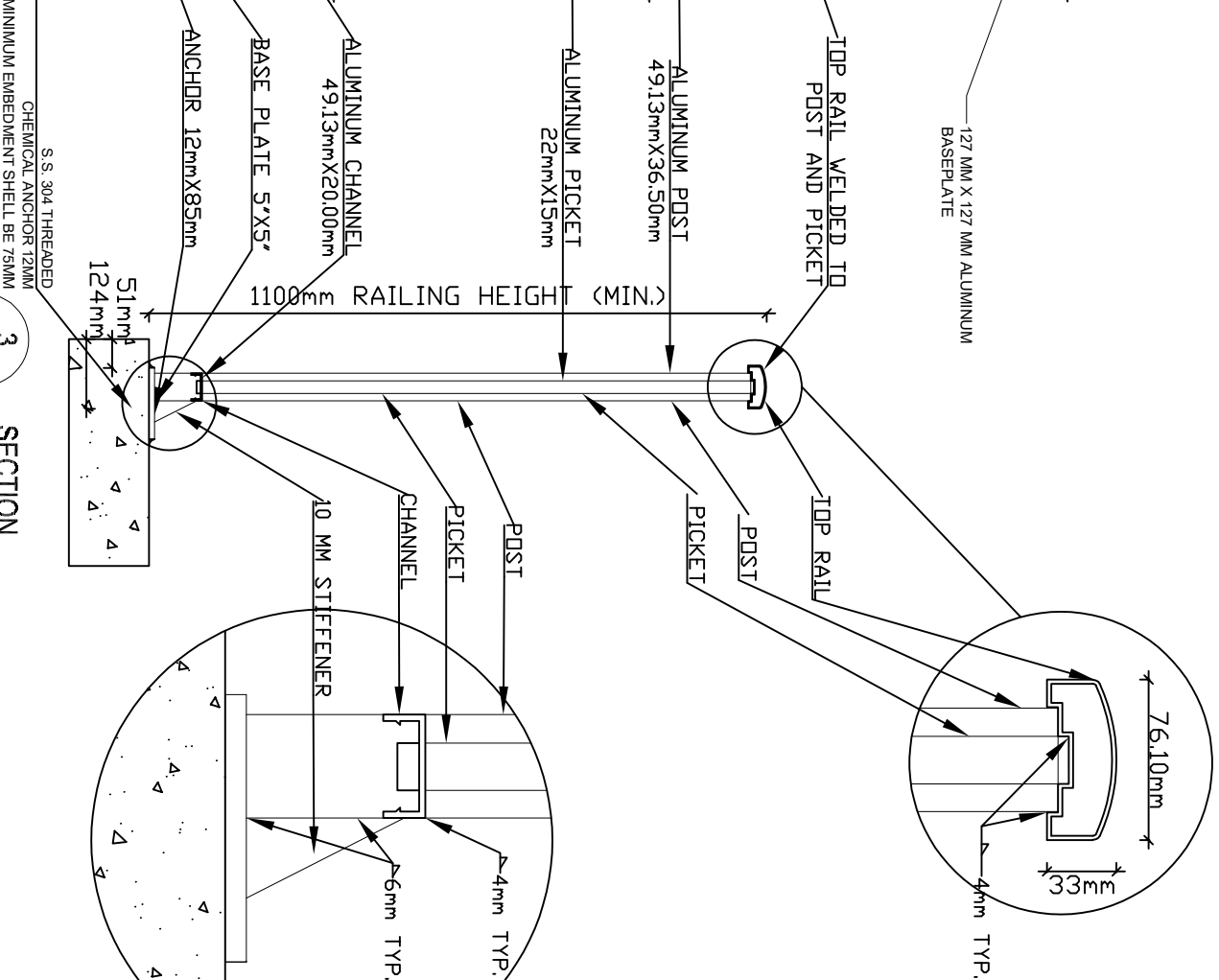


1 TOP VIEW
S2



2 ELEVATION
S2



3 SECTION
S2



FIRM:
LINK ALUMINUM RAILING
589 MIDDLEFIELD RD.#15
SCARBOROUGH, ON.
linkaluminumrailing@gmail.com
(647)457-5033

NO.	REVISION / ISSUE	DATE
1		
2		
3		

GENERAL NOTES:

DRAWING NAME:
FULL PICKET
RAILING

DRAWING NO:	PROJECT NO:	SHEET NO:
2.1		S5
DATE: 14/08/2018	SCALE: N.T.S.	