

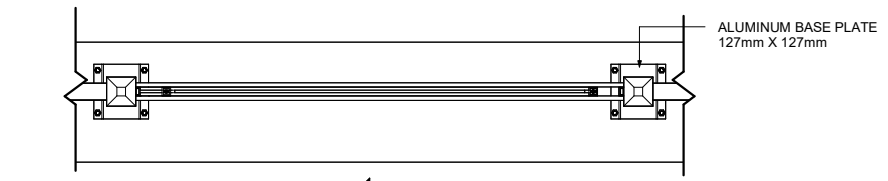
General Notes

No.	Revision/Issue	Date

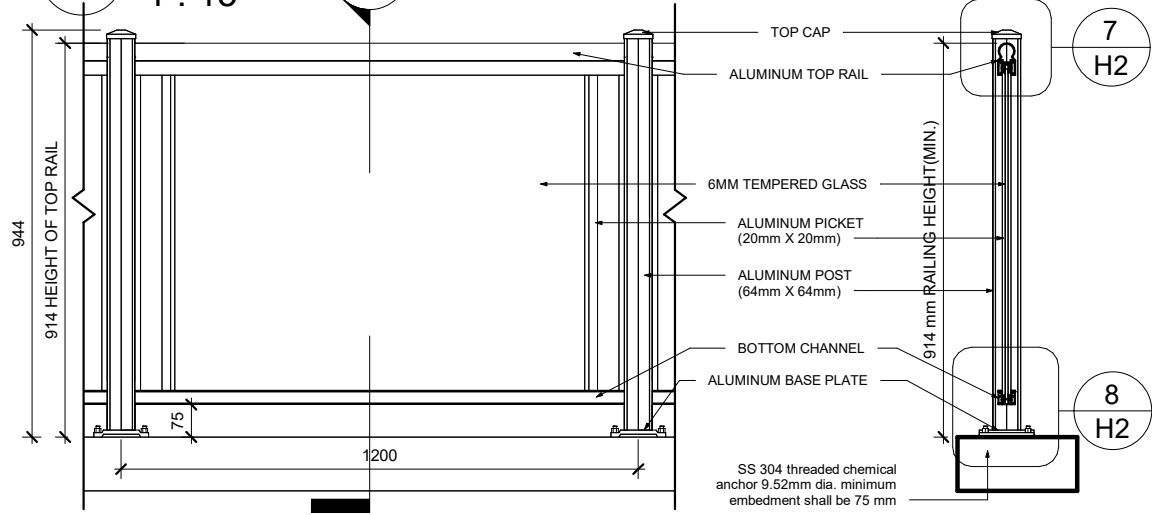
**Link**  
RAILINGS  
LINK ALUMINUM RAILING  
589, MIDDLEFIELD ROAD,  
SCARBOROUGH, ON  
linkaluminumrailing@gmail.com

HOUSING PICKET  
SYSTEM

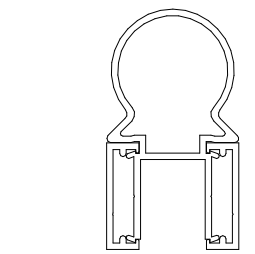
Project	Sheet
Date 22-04-2022	
Scale N.T.S.	



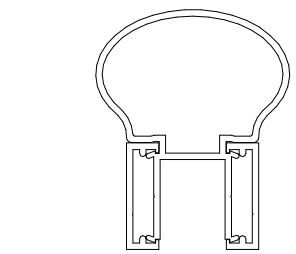
9 PLAN  
1 : 15



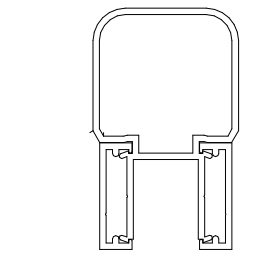
6 FRONT ELEVATION  
1 : 15



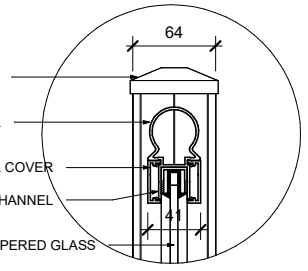
1 Top rail 2A  
1 : 2



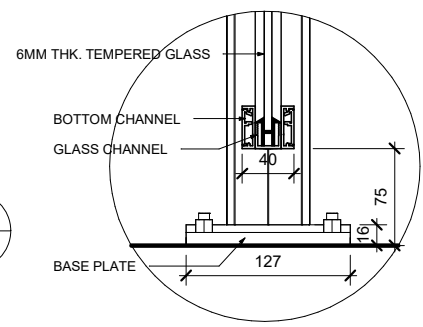
2 Top rail 2B  
1 : 2



3 Top rail 2C  
1 : 2



7 DETAIL 1  
1 : 5



8 DETAIL 2  
1 : 5