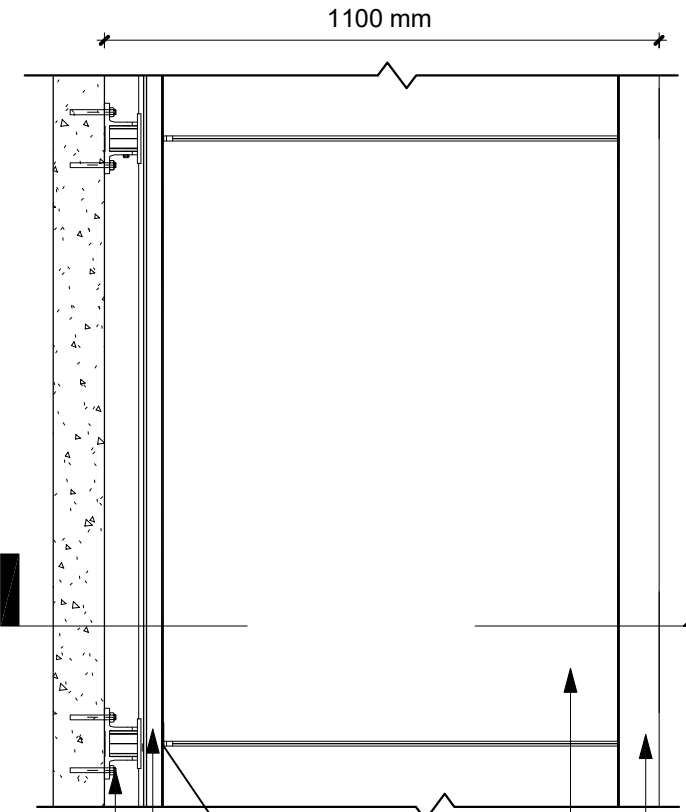


Base shoe

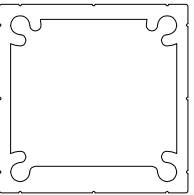
1 Plan
1 : 15



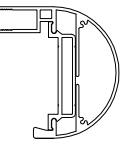
1100 mm

3
R5.1

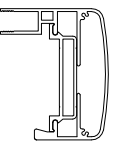
2 Front elevation
1 : 15



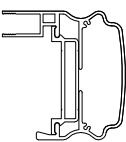
6 LRP001
1 : 2



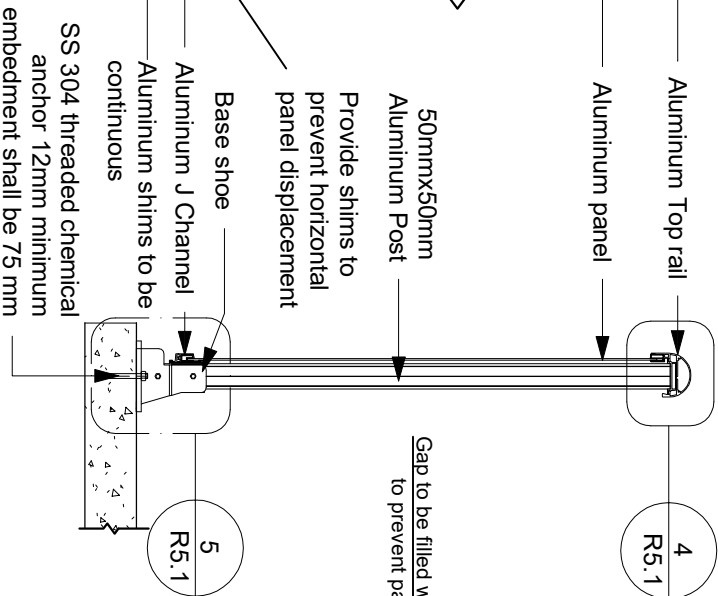
7 LRT101
1 : 5



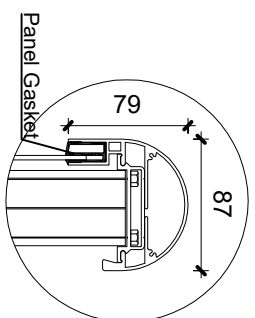
8 LRT102
1 : 5



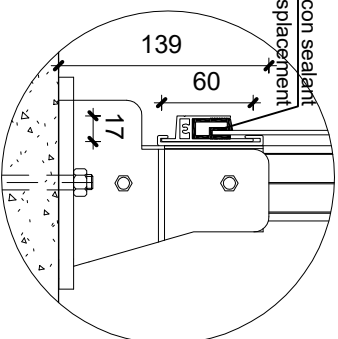
9 LRT103
1 : 5



3 Cross section
1 : 15



4 Detail 1
1 : 5



5 Detail 2
1 : 5

Gap to be filled with silicon sealant to prevent panel displacement

General Notes

No.	Revision/Issue	Date

Link
RAILINGS

LINK ALUMINIUM RAILING
589 MIDDL EFIELD ROAD,
SCARBOROUGH ON
linkaluminiumrailings@gmail.com

LRP-0001 Top Mounted
Aluminum panel system

Project	Sheet
Date 22-04-2022	R5.1
Scale N.T.S.	