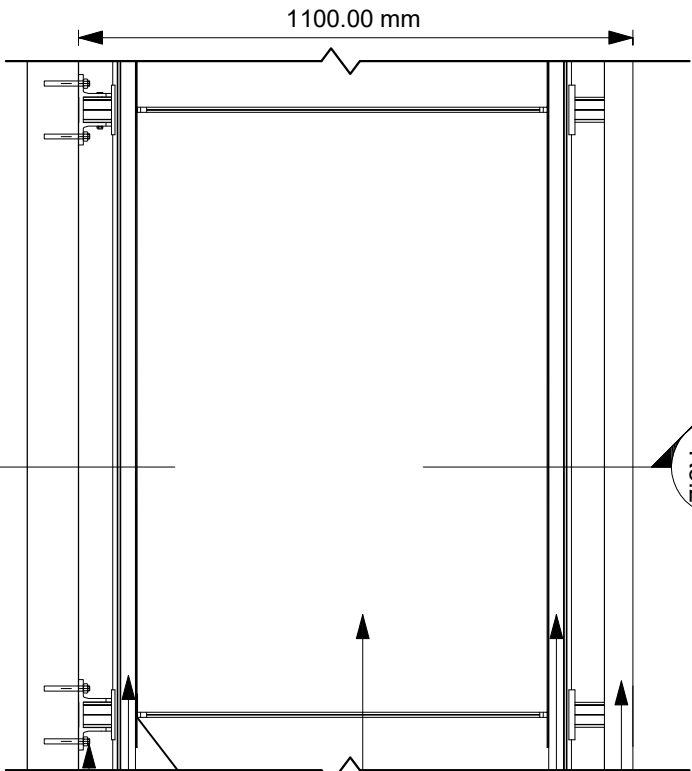
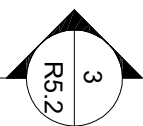


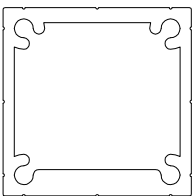
Base shoe

1 Plan  
1 : 15

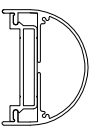


1100.00 mm

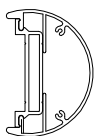
2 Front view  
1 : 15



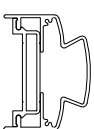
6 LRP001  
1 : 2



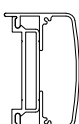
7 LRT001  
1 : 5



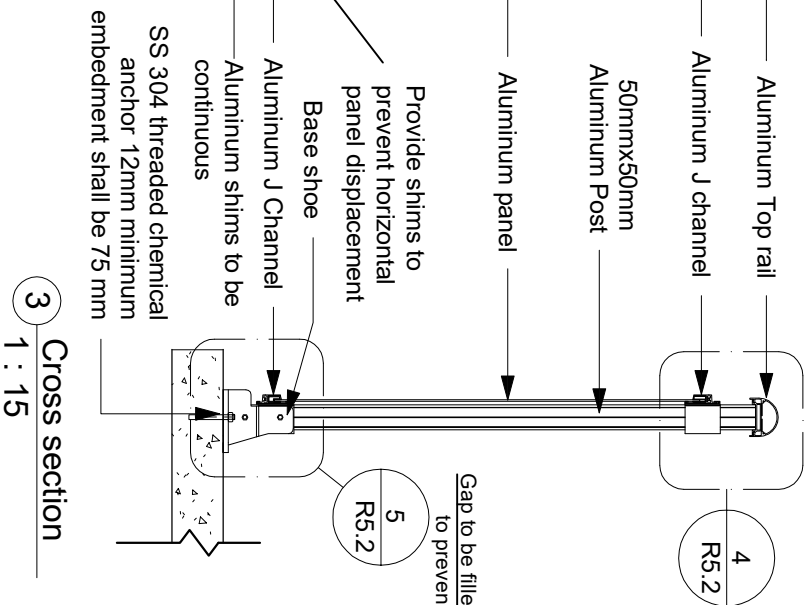
8 LRT002  
1 : 5



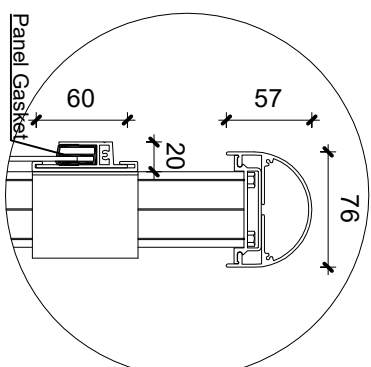
9 LRT003  
1 : 5



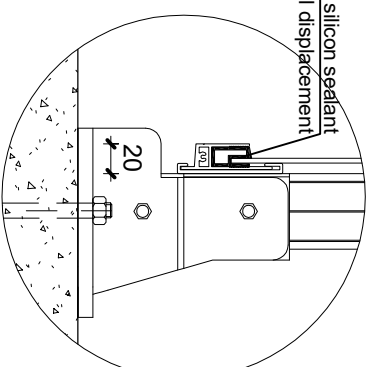
10 LRT004  
1 : 5



3 Cross section  
1 : 15



4 Detail 1  
1 : 5



5 Detail 2  
1 : 5

General Notes

No.	Revision/Issue	Date

**Link**  
RAILINGS  
LINK ALUMINIUM RAILING  
589, MIDDI, EFIELD ROAD,  
SCARBOROUGH, ON  
linkaluminiumrailings@gmail.com

LRP-0001-A Top Mounted  
Aluminum panel system

Project	Sheet
Date 22-04-2022	R5.2
Scale N.T.S.	