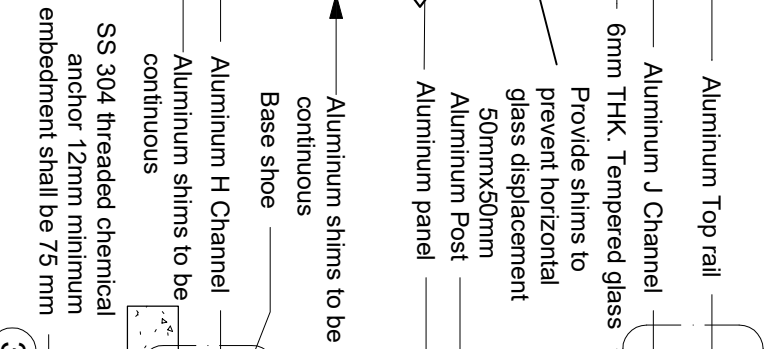
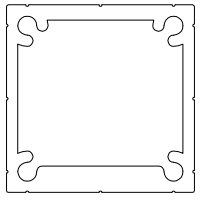
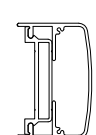
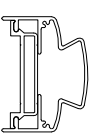
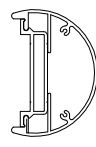
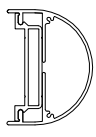
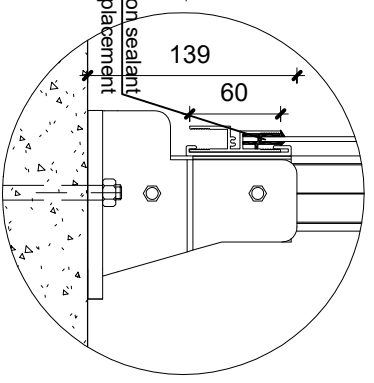
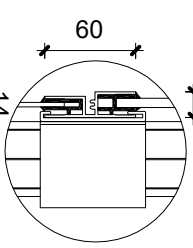
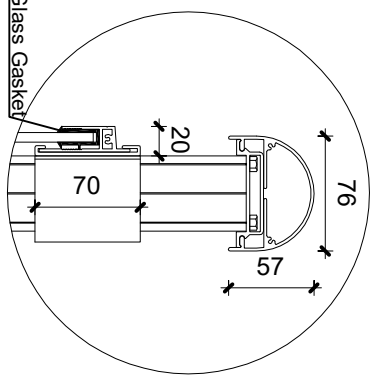


2 Elevation  
1 : 15



3 Cross section  
1 : 15

Gap to be filled with silicon sealant to prevent glass displacement



General Notes

No.	Revision/Issue	Date

**Link**  
RAILINGS  
LINK ALUMINUM RAILING  
585 MIDDLERFIELD ROAD,  
SCARBOROUGH, ON  
linkaluminumrailing@gmail.com

LRGP-0001-A Top  
Mounted Clear Glass &  
Aluminum panel  
Combined (Straight Insert)

Project Sheet  
Date 22-04-2022 R4.2  
Scale N.T.S.