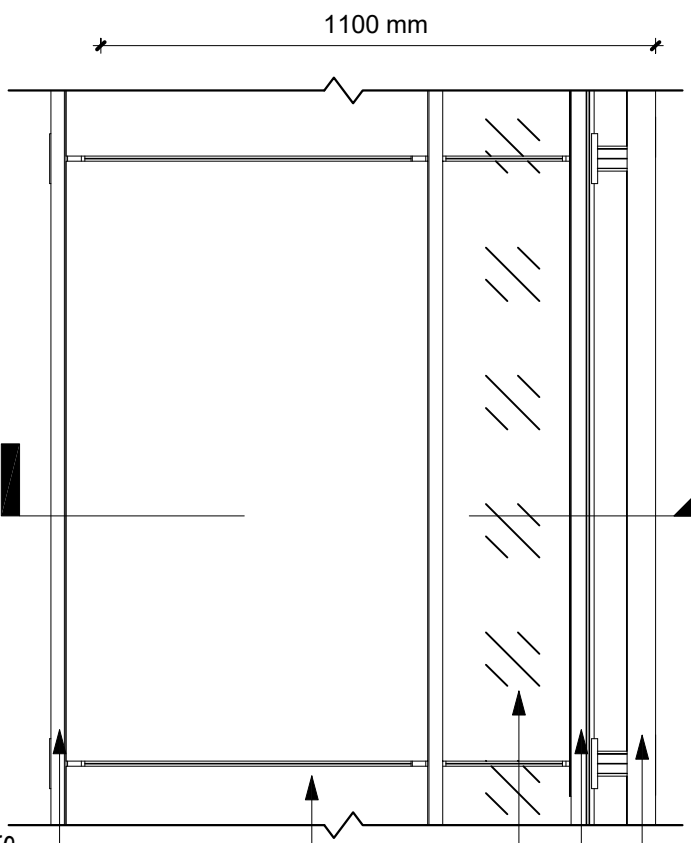
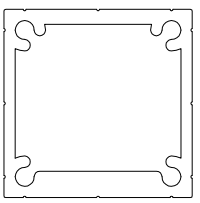


Aluminum base plate

1 Plan
1 : 15

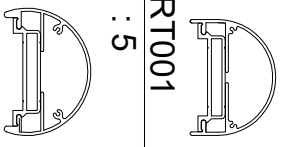


2 Front view
1 : 15



7 LRP001
1 : 2

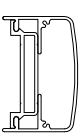
8 LRT001
1 : 5



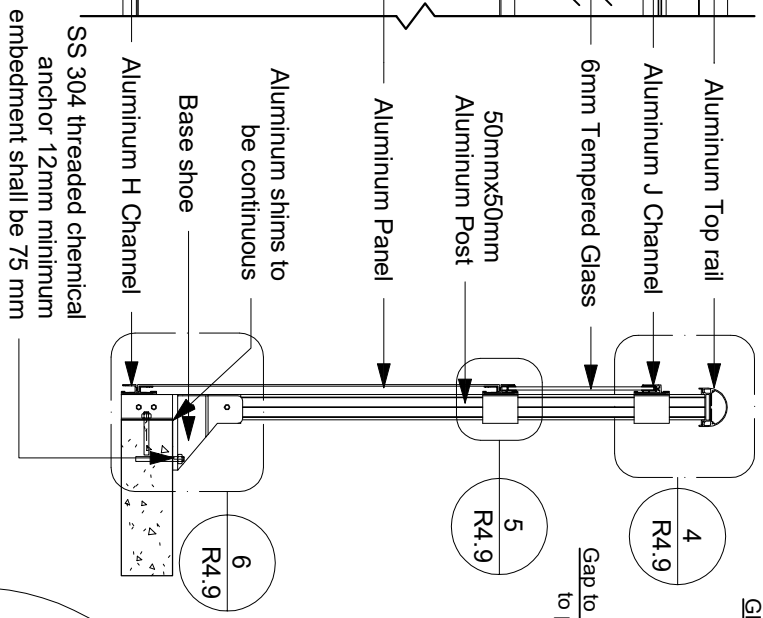
9 LRT002
1 : 5



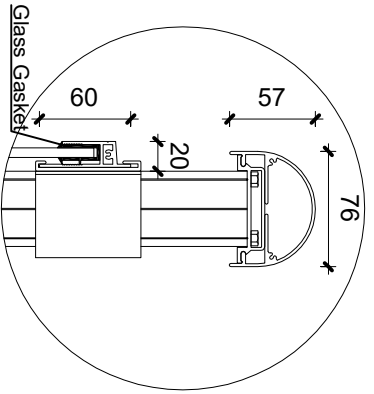
10 LRT003
1 : 5



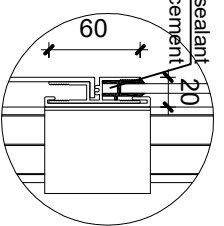
11 LRT004
1 : 5



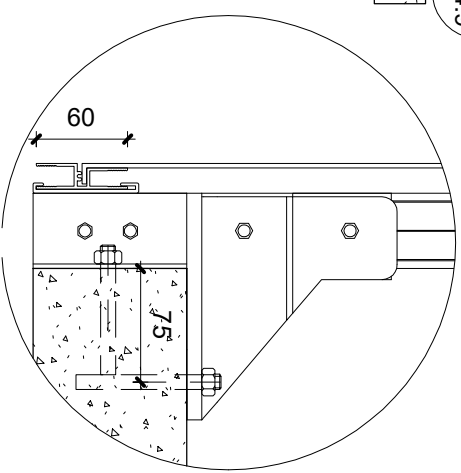
3 Cross section
1 : 15



4 Detail 1
1 : 5



5 Detail 2
1 : 5



6 Detail 3
1 : 5

General Notes

No.	Revision/Issue	Date

Link
RAILINGS
LINK ALUMINUM RAILING
589 MIDDLERFIELD ROAD,
SCARBOROUGH, ON
linkaluminumrailings@gmail.com

LRGP-0003-B Overturning
Top Mounted Clear Glass &
Aluminum panel
Combined(90° insert)

Project	Sheet
Date 22-04-2022	R4.9
Scale N.T.S.	