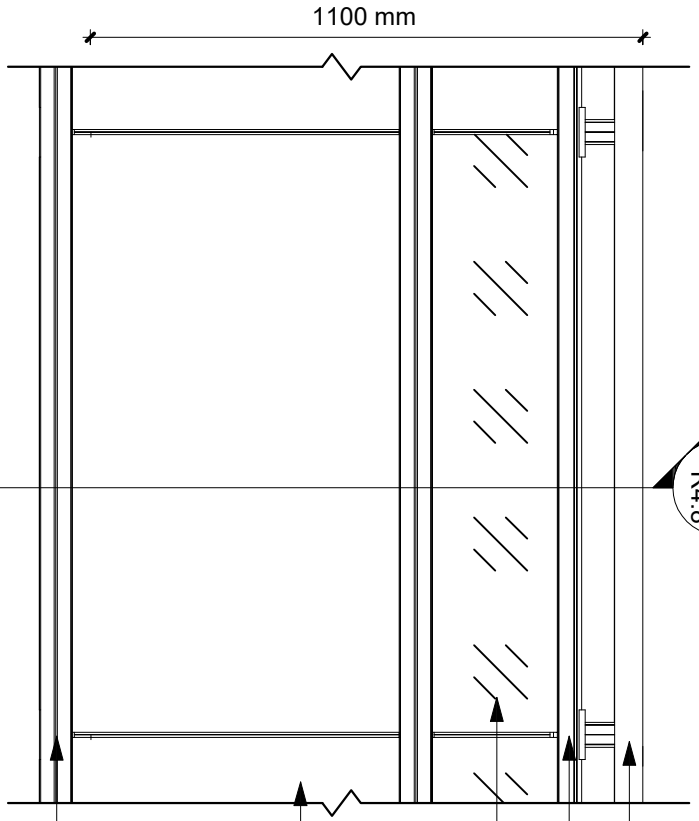
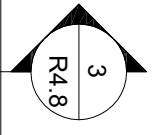
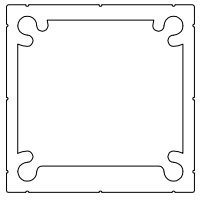


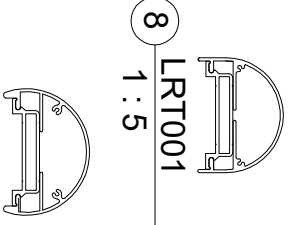
1 Plan
1 : 15



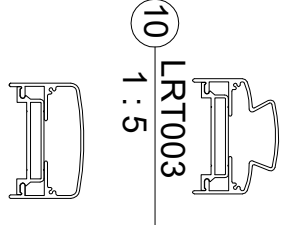
2 Elevation
1 : 15



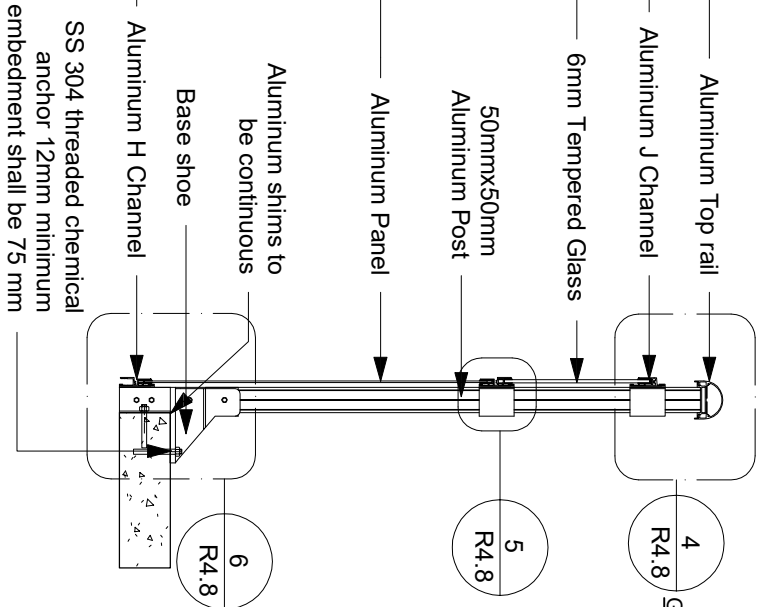
7 LRP001
1 : 2



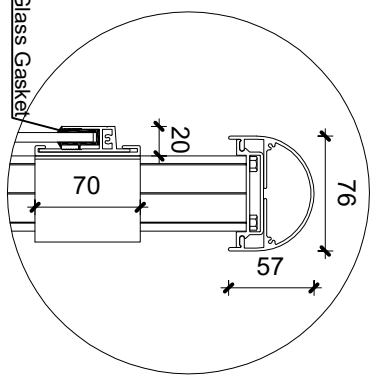
9 LRT002
1 : 5



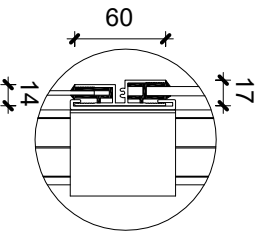
11 LRT004
1 : 5



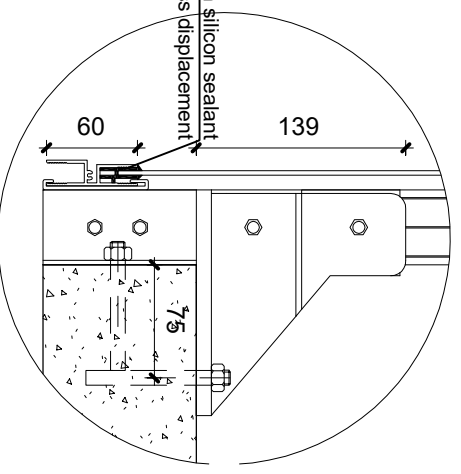
3 Cross section
1 : 15



4 Detail 1
1 : 5



5 Detail 2
1 : 5



6 Detail 3
1 : 5

General Notes

No.	Revision/Issue	Date

Link
RAILINGS
LINK ALUMINUM RAILING
593 MIDDELFIELD ROAD,
SCARBOROUGH, ON
linkaluminumrailings@gmail.com

LRGP-0003-A Overhung
Top Mounted Clear Glass
& Aluminum panel
Combined (Straight Insert)

Project Sheet
Date 22-04-2022 R4.8
Scale N.T.S.