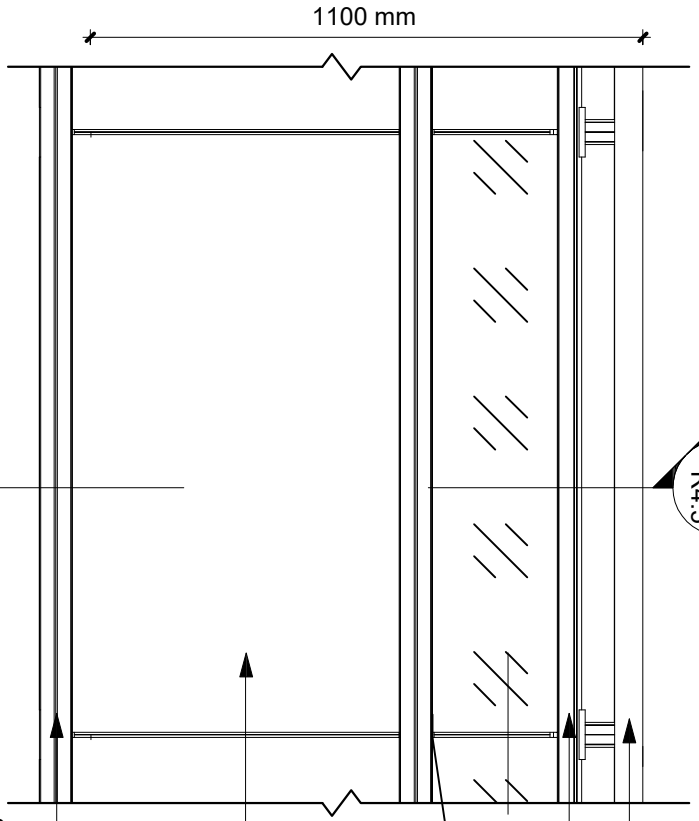
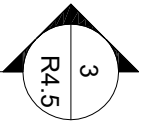
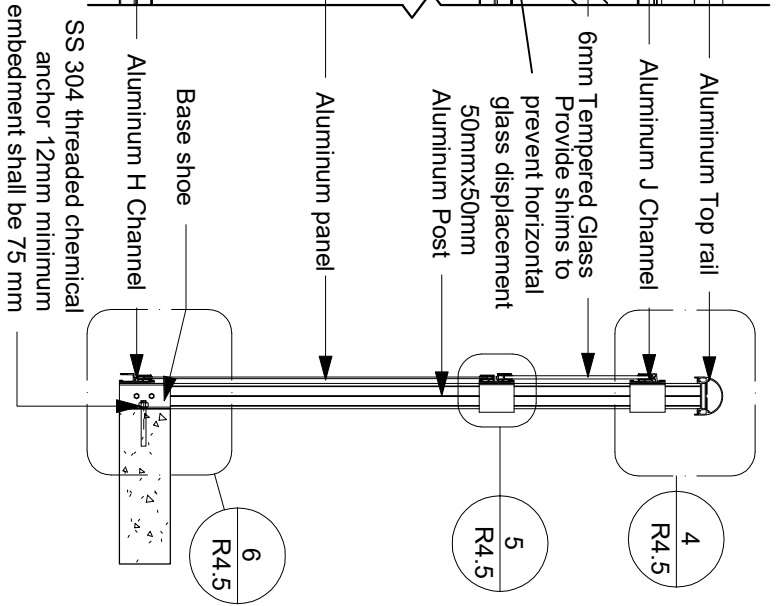


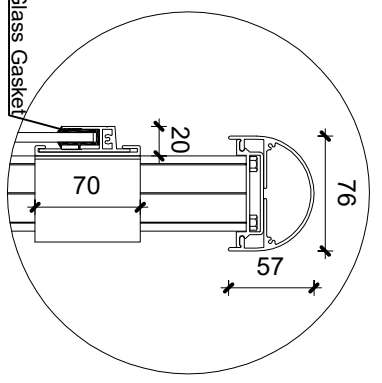
1 Plan  
1 : 15



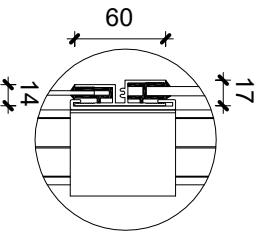
2 Elevation  
1 : 15



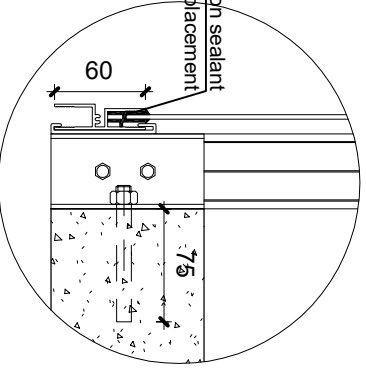
3 Cross section  
1 : 15



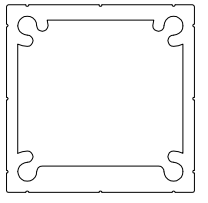
4 Detail 1  
1 : 5



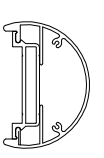
5 Detail 2  
1 : 5



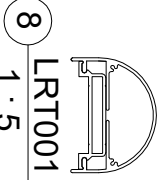
6 Detail 3  
1 : 5



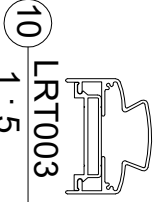
7 LRP001  
1 : 2



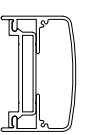
8 LRT001  
1 : 5



9 LRT002  
1 : 5



10 LRT003  
1 : 5



11 LRT004  
1 : 5

Gap to be filled with silicon sealant to prevent glass displacement

General Notes

No.	Revision/Issue	Date

**Link**  
RAILINGS  
LINK ALUMINUM RAILING  
583 MIDDERFELD ROAD,  
SCARBOROUGH, ON  
linkaluminumrailings@gmail.com

LRGP-0002-A Side Mounted  
Clear Glass & Aluminum panel  
Combined (Straight Insert)

Project	Sheet
Date	R4.5
Scale	N.T.S.