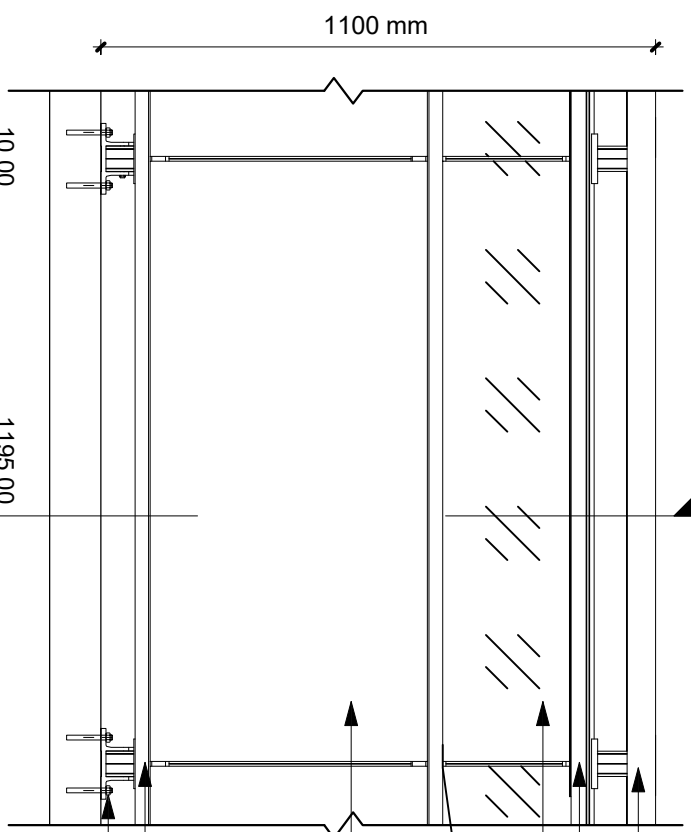
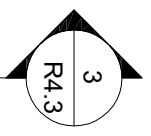
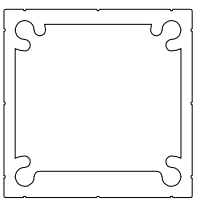


Base shoe

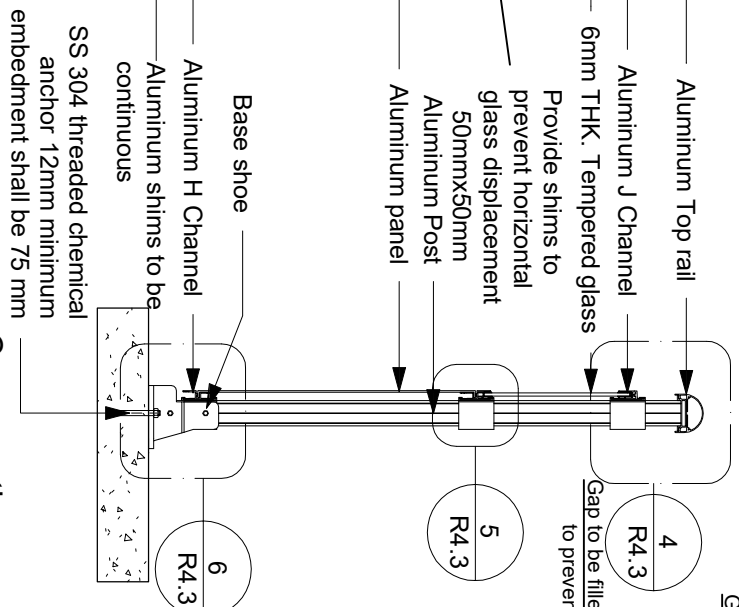
1 Plan  
1 : 15



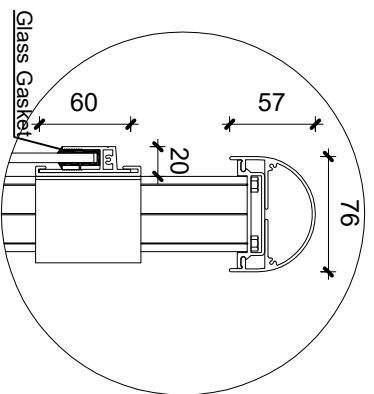
2 Front view  
1 : 15



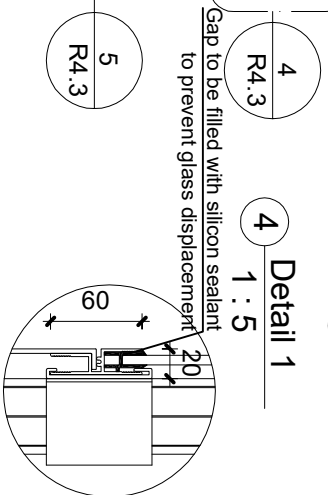
7 LRP001  
1 : 2



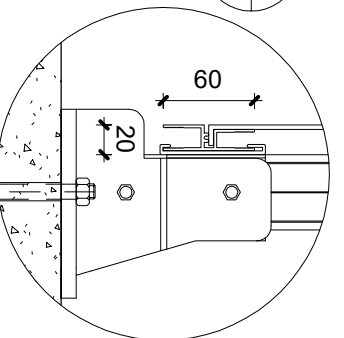
3 Cross section  
1 : 15



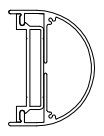
4 Detail 1  
1 : 5



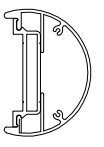
5 Detail 2  
1 : 5



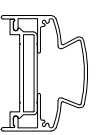
6 Detail 3  
1 : 5



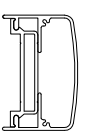
8 LRT001  
1 : 5



9 LRT002  
1 : 5



10 LRT003  
1 : 5



11 LRT004  
1 : 5

General Notes

No.	Revision/Issue	Date

**Link**  
RAILINGS  
LINK ALUMINIUM RAILING  
589, MIDDI, FIELD ROAD,  
SCARBOROUGH, ON  
linkaluminiumrailings@gmail.com

LRGP-0001-B Top Mounted  
Clear Glass & Aluminum  
panel Combined(90° insert)

Project	Sheet
Date 22-04-2022	R4.3
Scale N.T.S.	