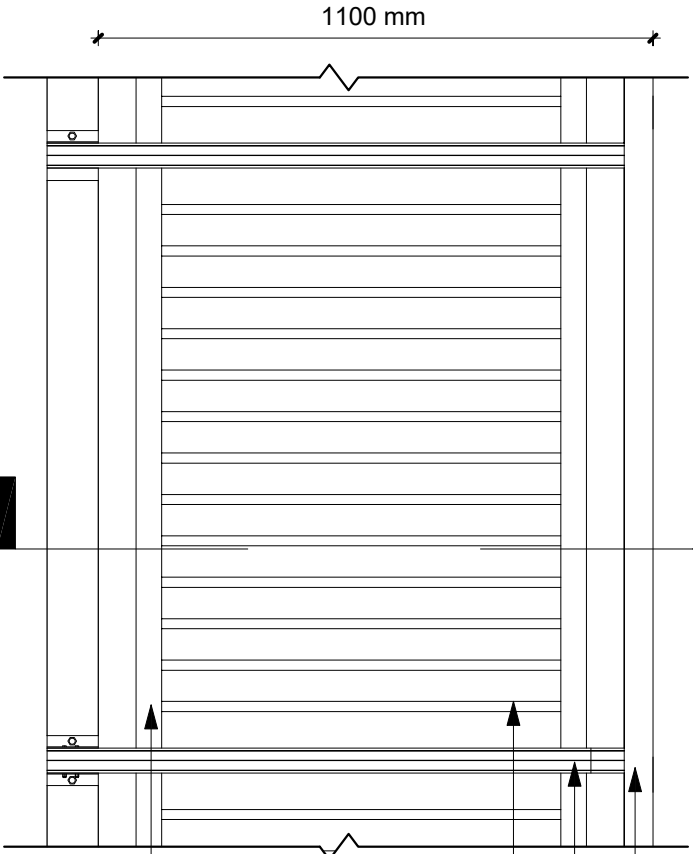
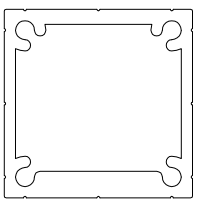


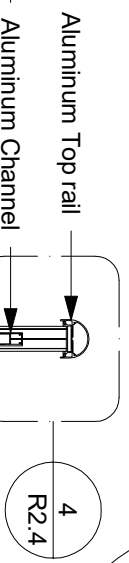
1 Plan
1 : 15



2 Front view
1 : 15

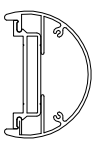


6 LRP001
1 : 2



Aluminum Top rail
Aluminum Channel
Aluminum Picket
50mmx50mm
Aluminum Post
Aluminum Channel
Base shoe
SS 304 threaded chemical anchor 12mm minimum embedment shall be 75 mm

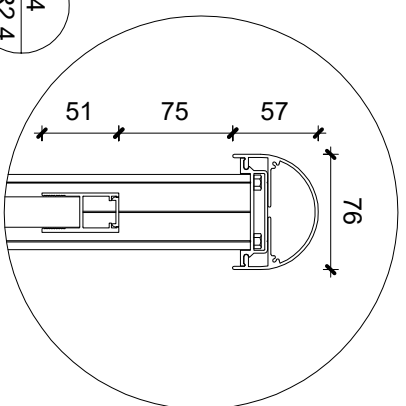
3 Cross section
1 : 15



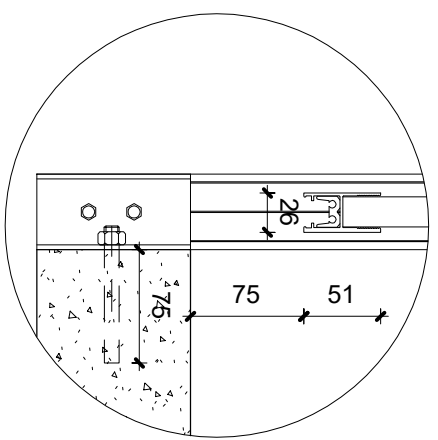
7 LRT001
1 : 5

8 LRT002
1 : 5

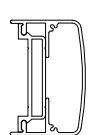
9 LRT003
1 : 5



4 Detail 1
1 : 5



5 Detail 2
1 : 5



10 LRT004
1 : 5

General Notes

No.	Revision/Issue	Date

Link
RAILINGS
LINK ALUMINUM RAILING
589 MIDDLERFIELD ROAD,
SCARBOROUGH, ON
linkaluminumrailings@gmail.com

LRGP-0002-A Side Mounted Picket system

Project	Sheet
Date 22-04-2022	R2.4
Scale N.T.S.	