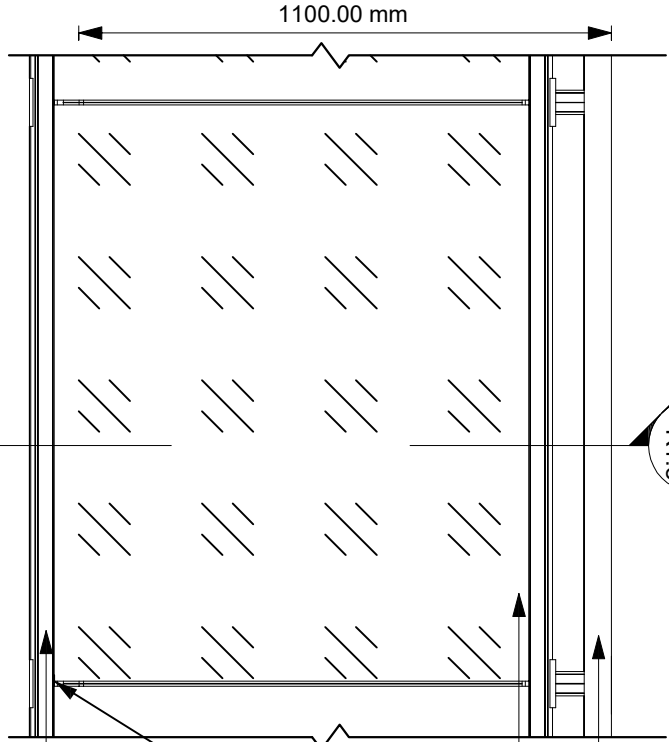


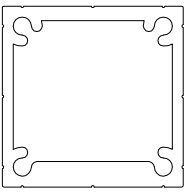
Aluminum base plate

1 Plan
1 : 15



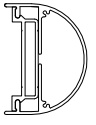
3
R1.8

2 Front view
1 : 15

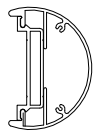


6 LRP001
1 : 2

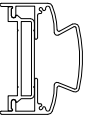
7 LRT001
1 : 5



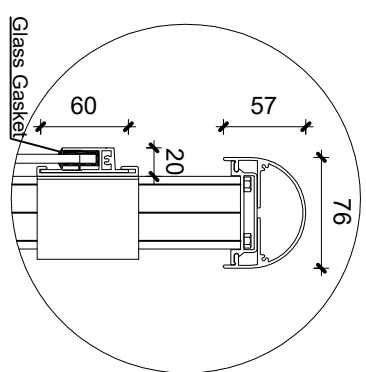
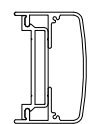
8 LRT002
1 : 5



9 LRT003
1 : 5

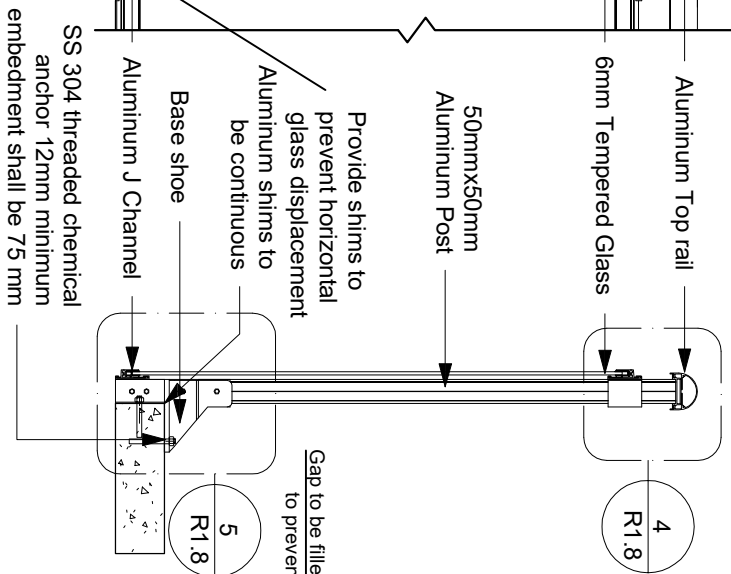


10 LRT004
1 : 5



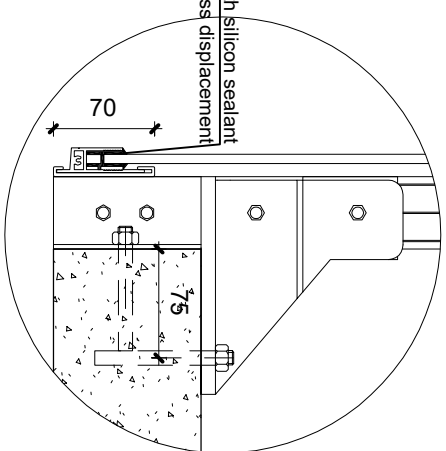
4 Detail 1
1 : 5

Glass Gasket



3 Cross section
1 : 15

5 Detail 2
1 : 5



Gap to be filled with silicon sealant to prevent glass displacement

SS 304 threaded chemical anchor 12mm minimum embedment shall be 75 mm

Provide shims to prevent horizontal glass displacement
Aluminum shims to be continuous

General Notes

No.	Revision/Issue	Date

Link
RAILINGS
LINK ALUMINUM RAILING
589, MIDDLEFIELD ROAD,
SCARBOROUGH, ON
linkaluminumrailing@gmail.com

LRG-0003-A Overhung
Top Mounted

Project	Sheet
Date	R1.8
22-04-2022	
Scale	
N.T.S.	