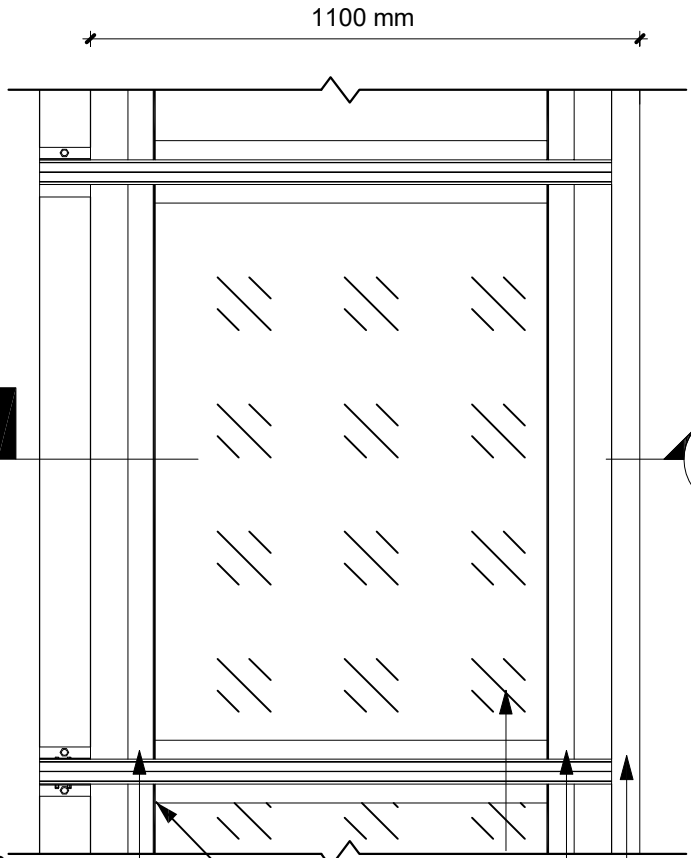
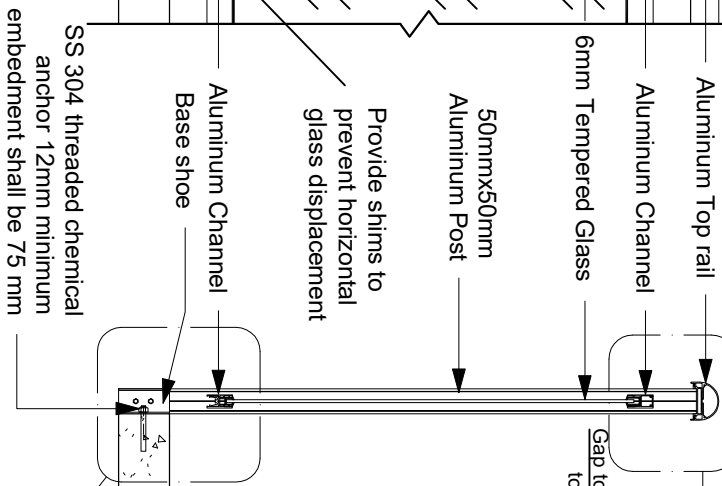


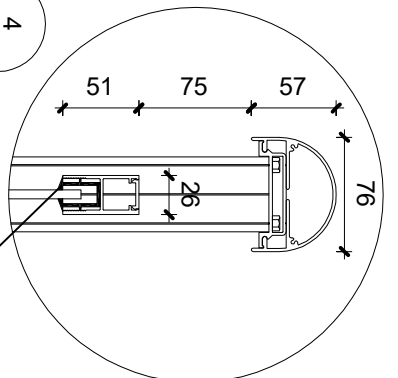
1 Plan
1 : 15



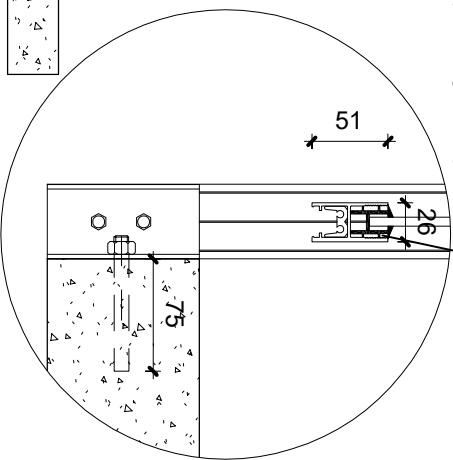
3
R1.6



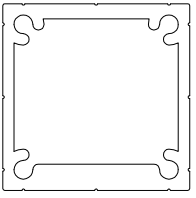
3 Cross section
1 : 15



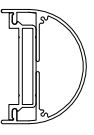
4 Detail 1
1 : 5



5 Detail 2
1 : 5



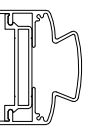
6 LRP001
1 : 2



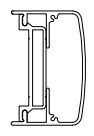
7 LRT001
1 : 5



8 LRT002
1 : 5



9 LRT003
1 : 5



10 LRT004
1 : 5

General Notes

No.	Revision/Issue	Date

Link
RAILINGS
LINK ALUMINUM RAILING
588, MIDDLEFIELD ROAD,
SCARBOROUGH, ON
linkaluminumrailing@gmail.com

LRG-0002-B Side Mounted
Glass System

Project	Sheet
Date	R1.6
22-04-2022	
Scale	
N.T.S.	