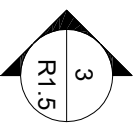
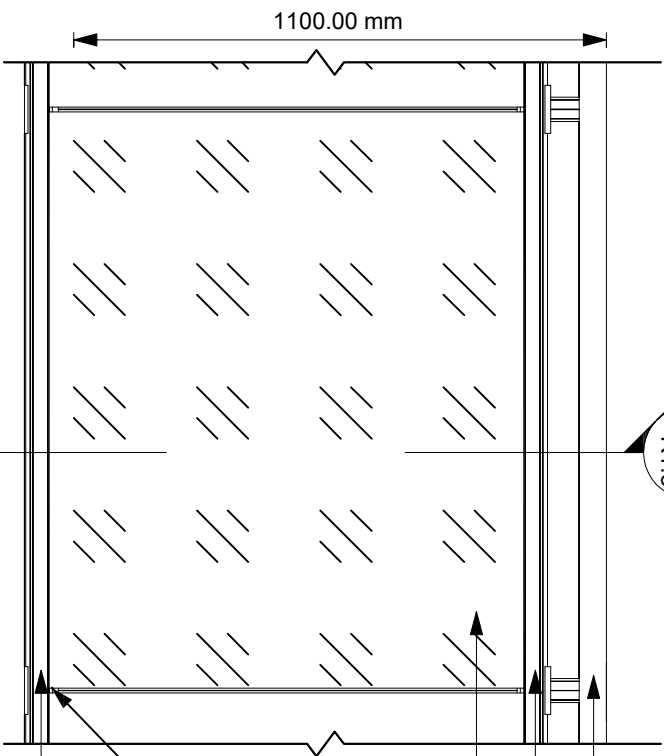
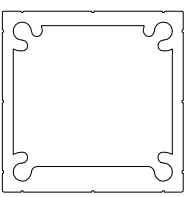


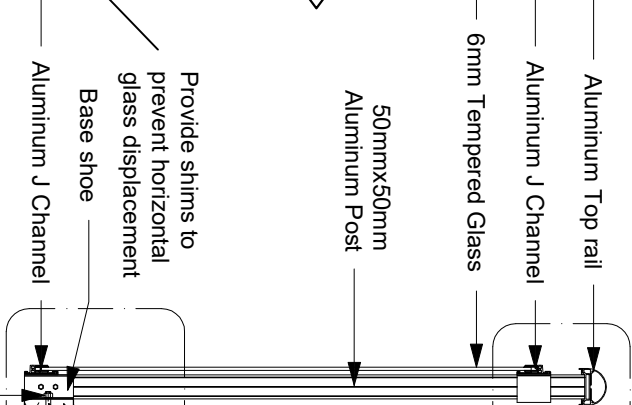
1 Plan
1 : 15



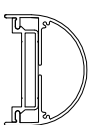
2 Front view
1 : 15



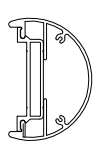
6 LRP001
1 : 2



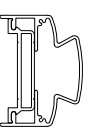
3 Cross section
1 : 15



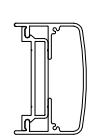
7 LRT001
1 : 5



8 LRT002
1 : 5



9 LRT003
1 : 5



10 LRT004
1 : 5

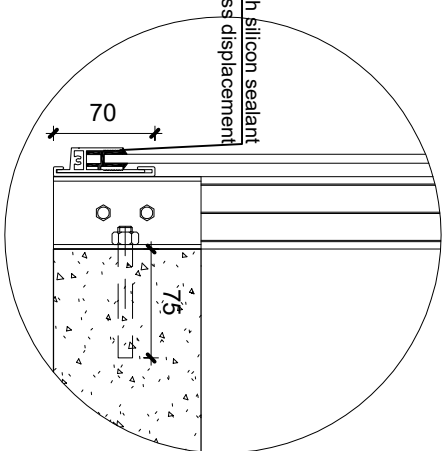
SS 304 threaded chemical anchor 12mm minimum embedment shall be 75 mm

Provide shims to prevent horizontal glass displacement
Base shoe
Aluminum J Channel

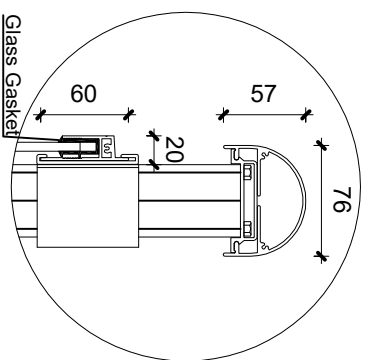
50mmx50mm Aluminum Post

Aluminum Top rail
Aluminum J Channel
6mm Tempered Glass

Gap to be filled with silicon sealant to prevent glass displacement



5 Detail 2
1 : 5



4 Detail 1
1 : 5

General Notes

No.	Revision/Issue	Date

Link
RAILINGS
LINK ALUMINUM RAILING
589, MIDDLEFIELD ROAD,
SCARBOROUGH, ON
linkaluminumrailing@gmail.com

LRG-0002-A Side Mounted
Glass System

Project	Sheet
Date 22-04-2022	R1.5
Scale N.T.S.	