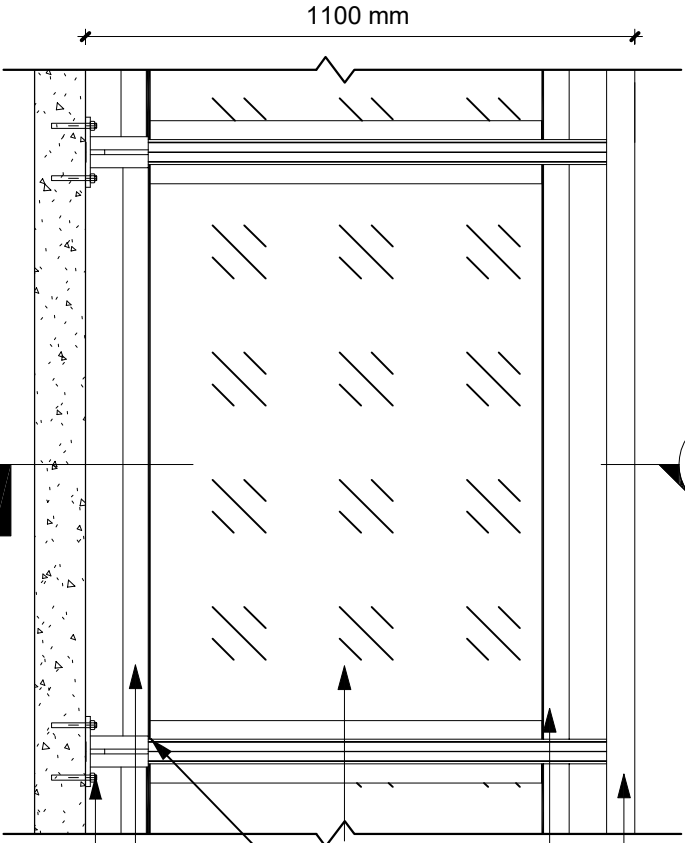
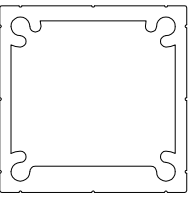


Base shoe

1 Plan
1 : 15

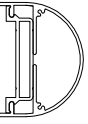


2 Front view
1 : 15



6 LRP001
1 : 2

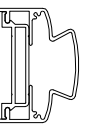
7 LRT001
1 : 5



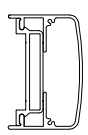
8 LRT002
1 : 5



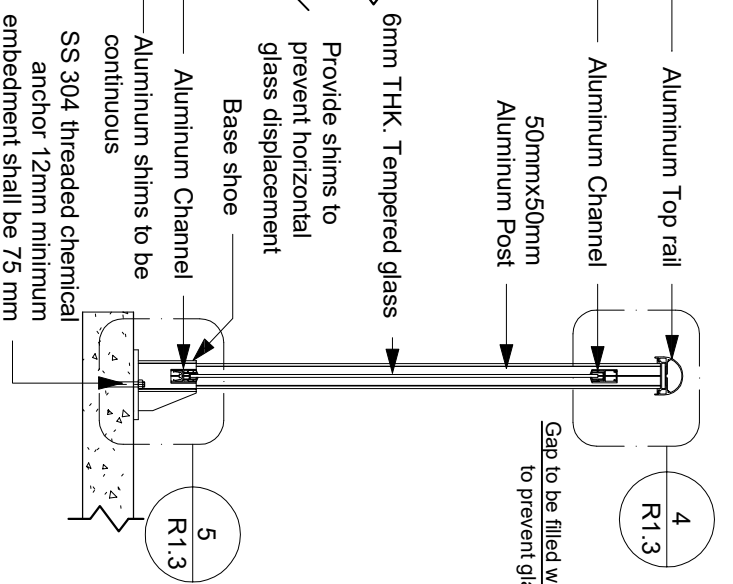
9 LRT003
1 : 5



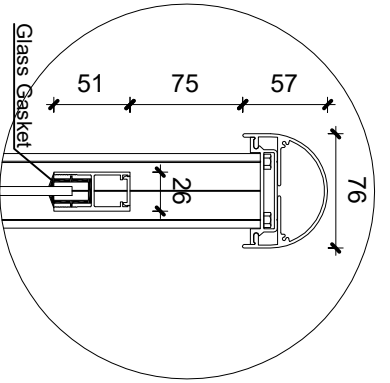
10 LRT004
1 : 5



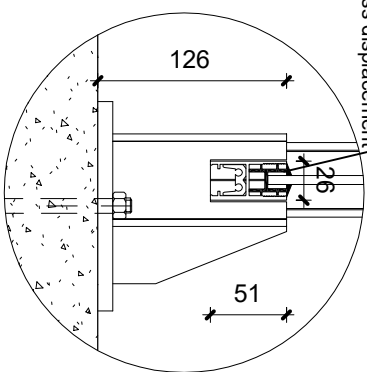
3 Cross section
1 : 15



4 Detail 1
1 : 5



5 Detail 2
1 : 5



General Notes

No.	Revison/Issue	Date

Link
RAILINGS
LINK ALUMINIUM RAILING
585, MIDDLEFIELD ROAD,
SCARBOROUGH, ON
linkaluminiumrailing@gmail.com

LRG-0001-B Top
Mounted Glass System

Project	Sheet
Date 22-04-2022	R1.3
Scale N.T.S.	