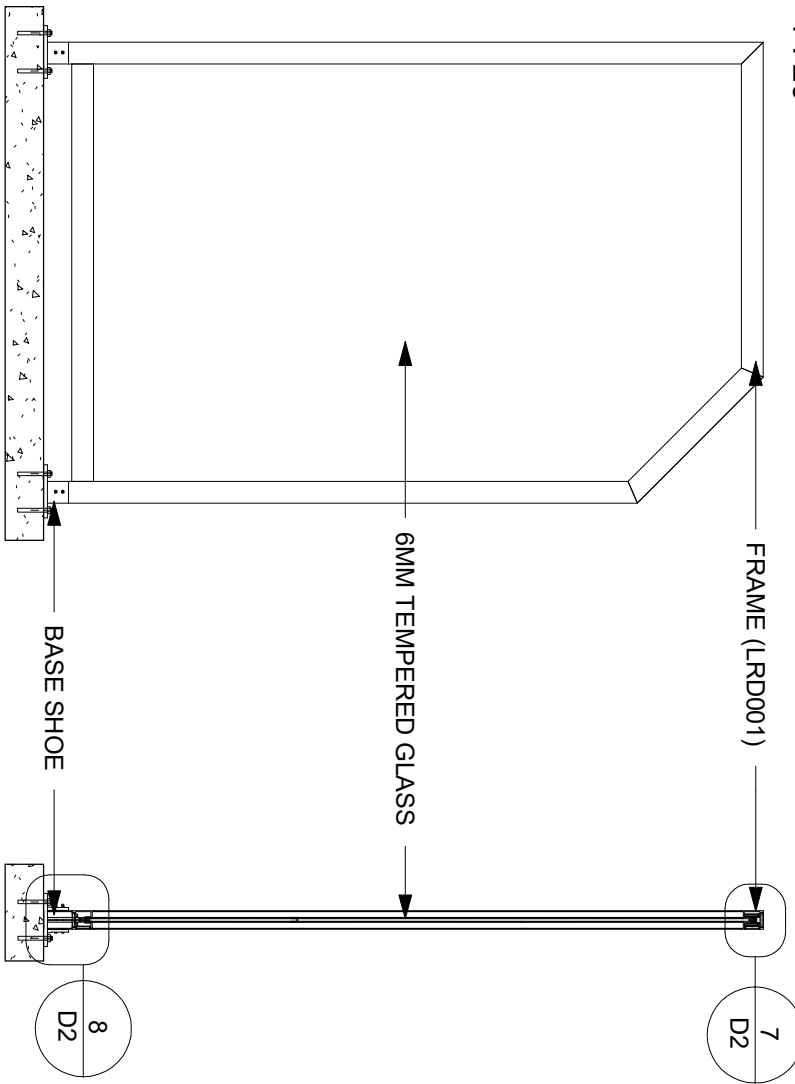
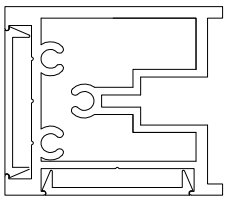


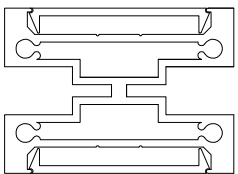
1 Plan
1 : 20



2 Elevation
1 : 20

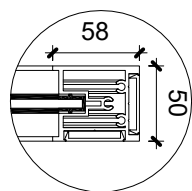


5 LRD001
1 : 2

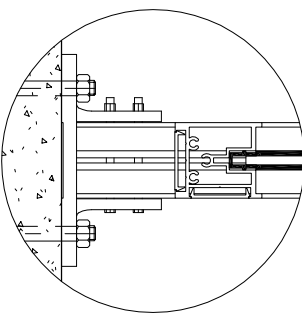


3 Glass divider C/S
1 : 20

6 LRD002
1 : 2



7 Detail 1
1 : 5



8 Detail 3
1 : 5

General Notes

No.	Revision/Issue	Date


LINK RAILINGS
 LINK ALUMINIUM RAILING
 589 MIDDLERFIELD ROAD,
 SCARBOROUGH, ON
 linkaluminiumrailings@gmail.com

LRD-0002-A Glass panel divider system

Project	Sheet
Date 22-04-2022	D4
Scale N.T.S.	