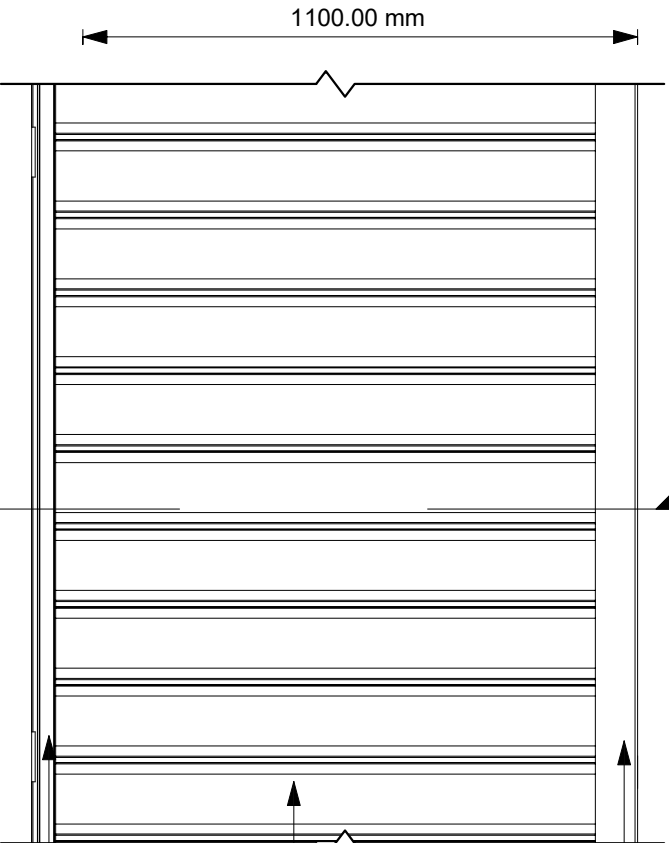
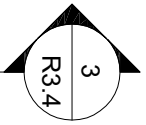


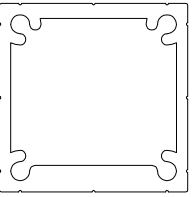
Aluminum base plate

1 Plan  
1 : 15

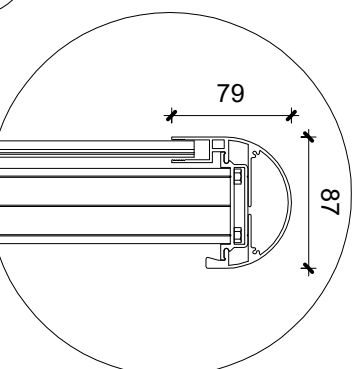
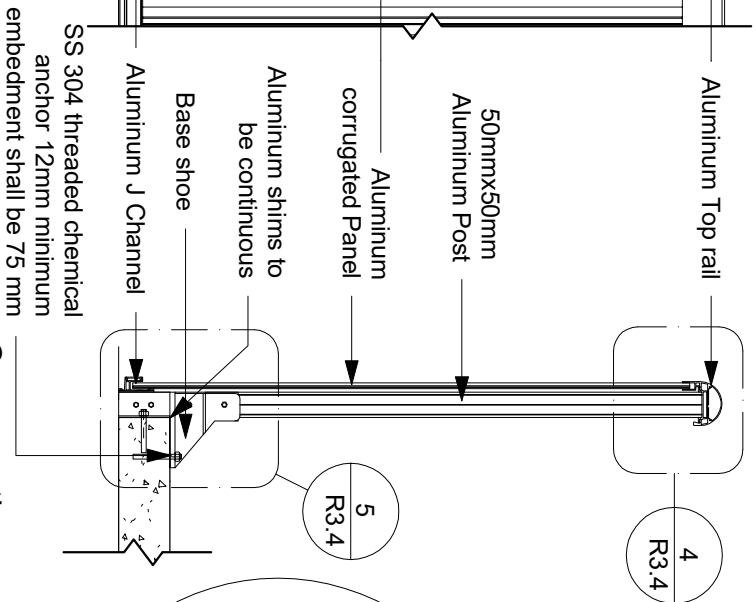


1100.00 mm

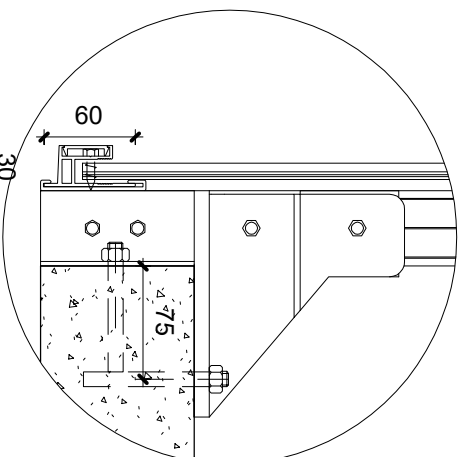
2 Front view  
1 : 15



6 LRP001  
1 : 2

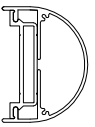


4 Detail 1  
1 : 5

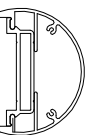


3 Cross section  
1 : 15

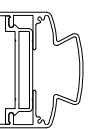
5 Detail 2  
1 : 5



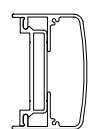
7 LRT001  
1 : 5



8 LRT002  
1 : 5



9 LRT003  
1 : 5



10 LRT004  
1 : 5

General Notes

No.	Revision/Issue	Date

**Link**  
RAILINGS  
LINK ALUMINUM RAILING  
589 MIDDLERFIELD ROAD,  
SCARBOROUGH, ON  
linkaluminumrailings@gmail.com

LRC-0003 Overhung Top Mounted Corrugated panel system

Project	Sheet
Date: 22-04-2022	R3.4
Scale: N.T.S.	