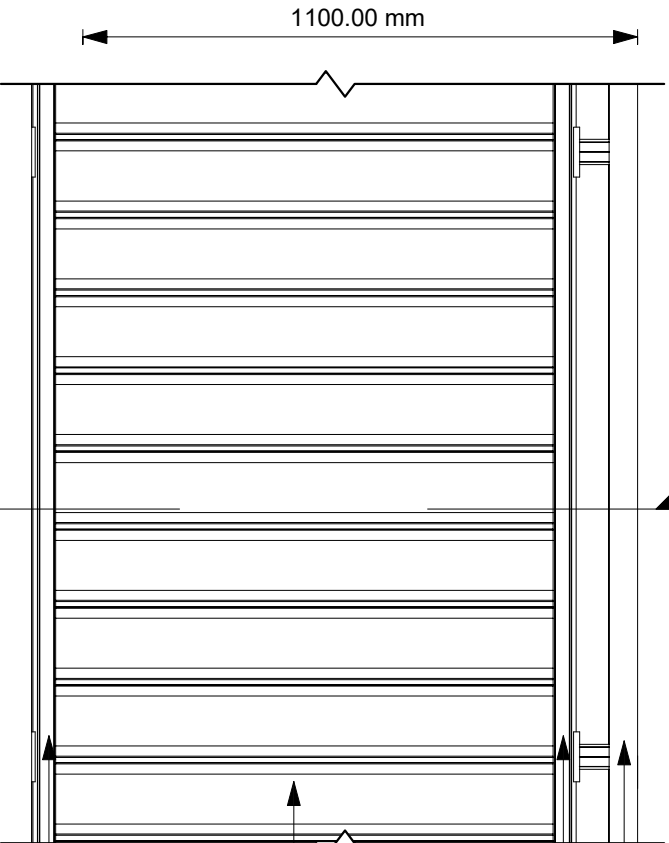
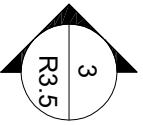
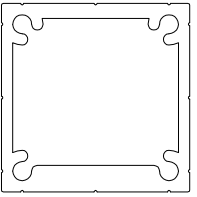


Aluminum base plate

1 Plan  
1 : 15

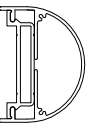


2 Front view  
1 : 15

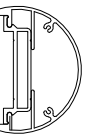


6 LRP001  
1 : 2

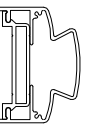
7 LRT001  
1 : 5



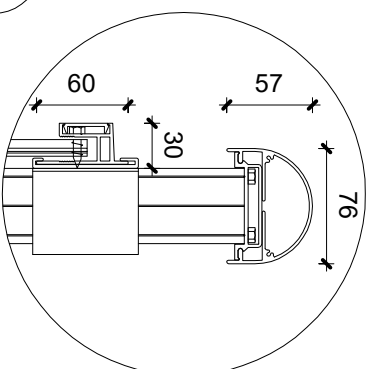
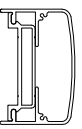
8 LRT002  
1 : 5



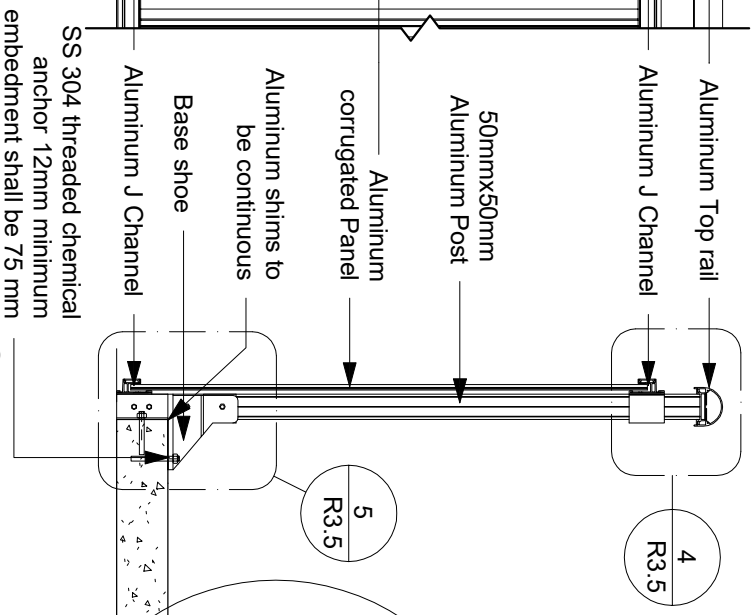
9 LRT003  
1 : 5



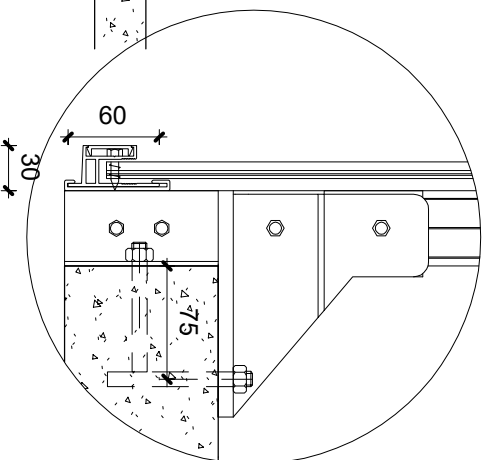
10 LRT004  
1 : 5



4 Detail 1  
1 : 5



3 Cross section  
1 : 15



5 Detail 2  
1 : 5

General Notes

No.	Revision/Issue	Date

**Link**  
RAILINGS  
LINK ALUMINUM RAILING  
589 MIDDLERFIELD ROAD,  
SCARBOROUGH ON  
linkaluminiumrailings@gmail.com

LRC-0003-A Overhung Top Mounted Corrugated panel system

Project	Sheet
Date 22-04-2022	R3.5
Scale N.T.S.	