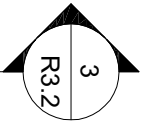
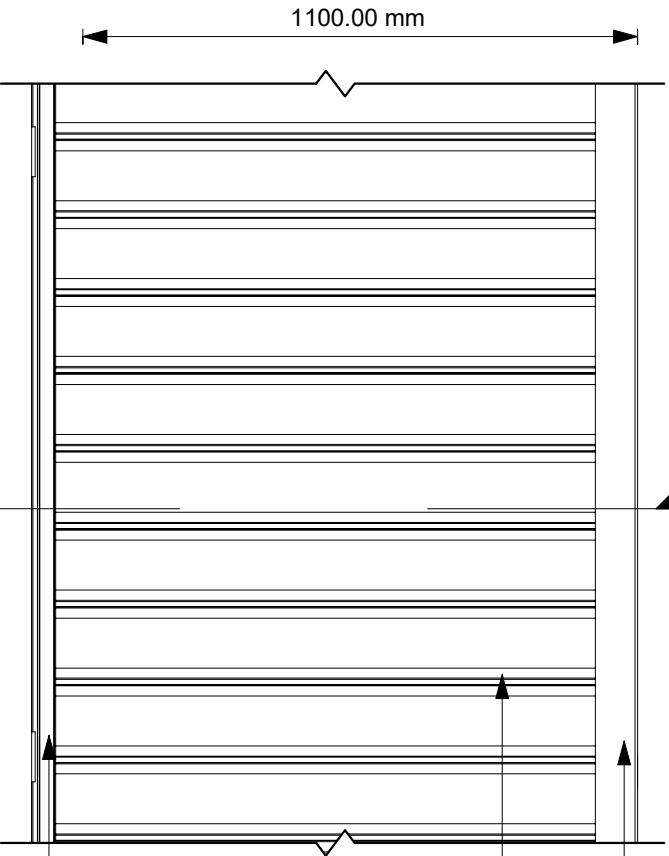


1 Plan  
1 : 15



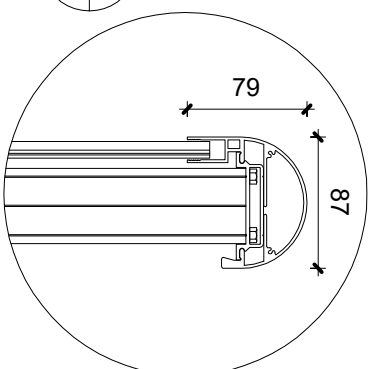
Aluminum Top rail

Aluminum corrugated panel

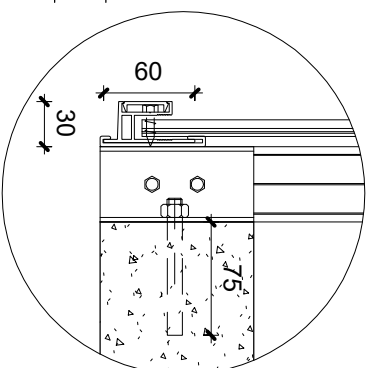
50mmx50mm Aluminum Post

Base shoe  
Aluminum J Channel

SS 304 threaded chemical anchor 12mm minimum embedment shall be 75 mm

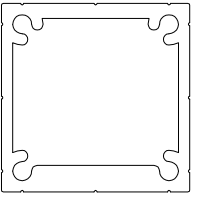


4 Detail 1  
1 : 5

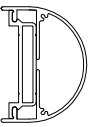


5 Detail 2  
1 : 5

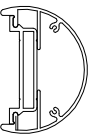
2 Front view  
1 : 15



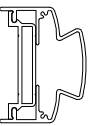
6 LRP001  
1 : 2



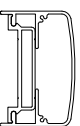
7 LRT001  
1 : 5



8 LRT002  
1 : 5



9 LRT003  
1 : 5



10 LRT004  
1 : 5

General Notes

No.	Revision/Issue	Date

**Link**  
RAILINGS

LINK ALUMINUM RAILING  
589 MIDDLERFIELD ROAD,  
SCARBOROUGH ON  
linkaluminumrailings@gmail.com

LRC-0002 Side Mounted  
Corrugated panel system

Project	Sheet
Date 22-04-2022	R3.2
Scale N.T.S.	