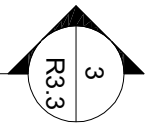
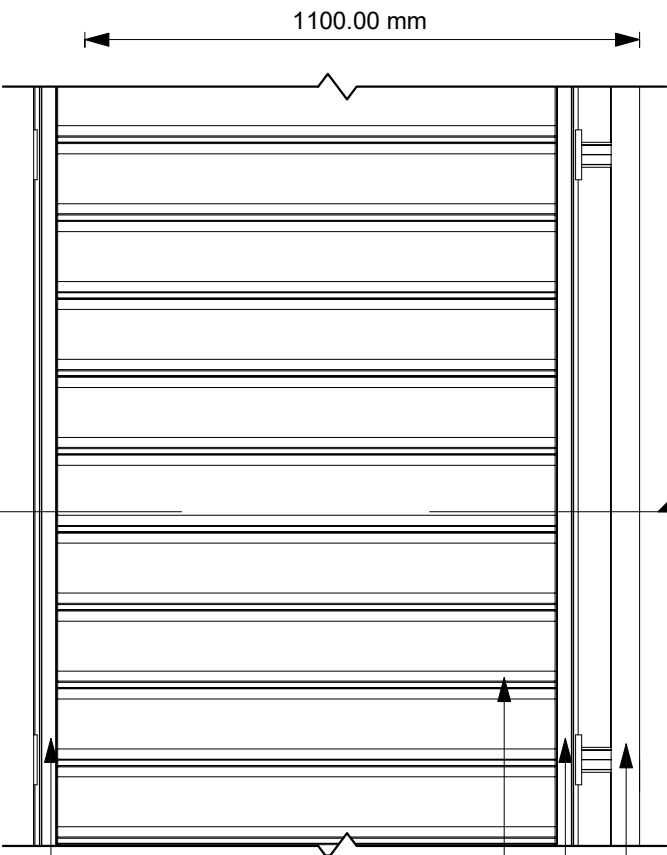
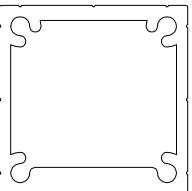


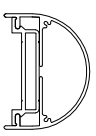
1 Plan  
1 : 15



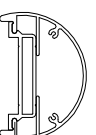
2 Front view  
1 : 15



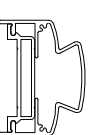
6 LRP001  
1 : 2



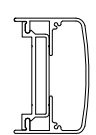
7 LRT001  
1 : 5



8 LRT002  
1 : 5

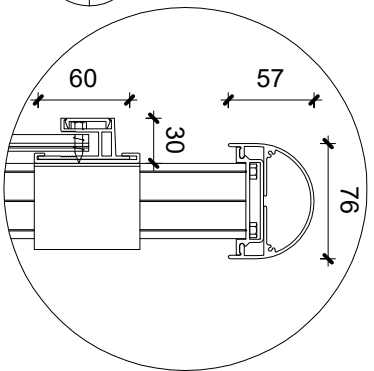
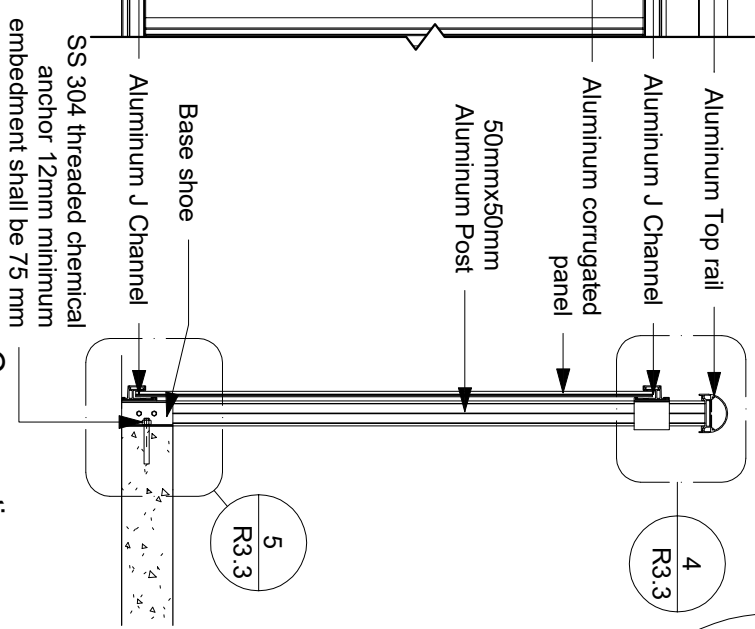


9 LRT003  
1 : 5

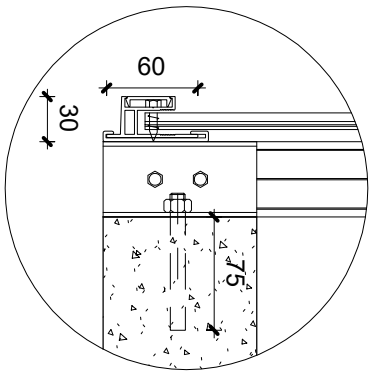


10 LRT004  
1 : 5

3 Cross section  
1 : 15



4 Detail 1  
1 : 5



5 Detail 2  
1 : 5

General Notes

No.	Revision/Issue	Date

**Link**  
RAILINGS  
LINK ALUMINUM RAILING  
589 MIDDIEFIELD ROAD,  
SCARBOROUGH, ON  
linkaluminumrailings@gmail.com

LRC-0002-A Side Mounted  
Corrugated panel system

Project	Sheet
Date	R3.3
Scale	N.T.S.