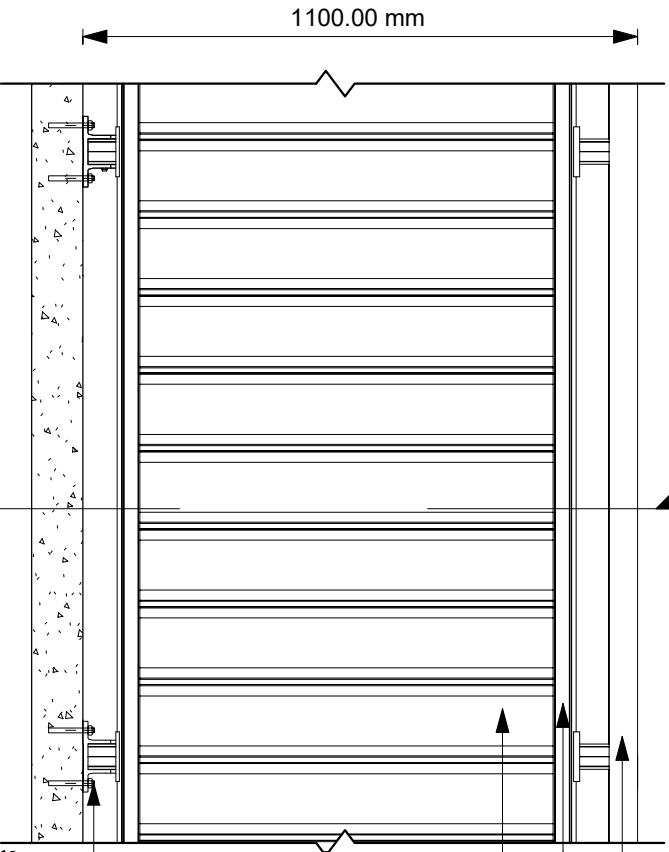
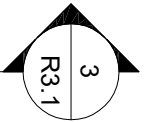
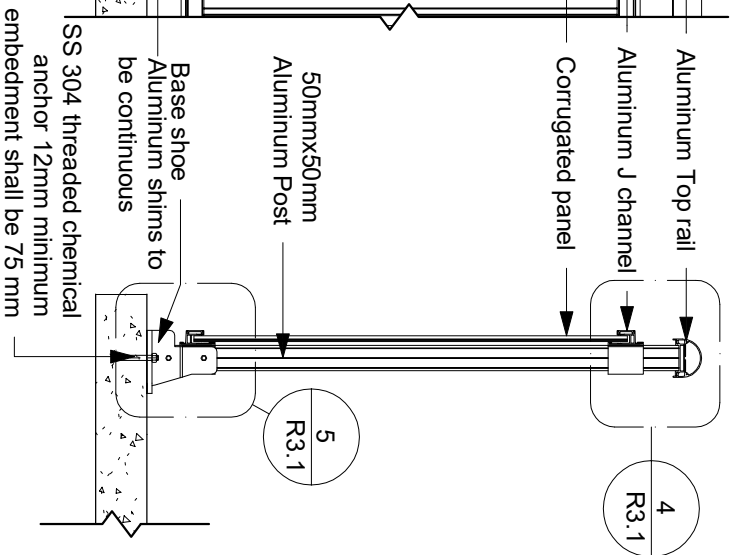


Base shoe

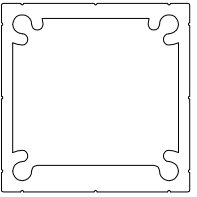
1 Plan
1 : 15



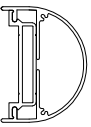
1100.00 mm



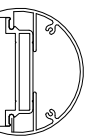
2 Front view
1 : 15



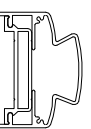
6 LRP001
1 : 2



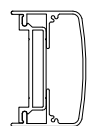
7 LRT001
1 : 5



8 LRT002
1 : 5

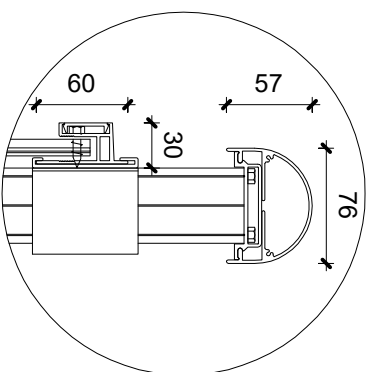


9 LRT003
1 : 5

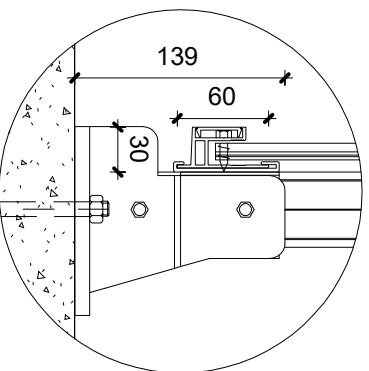


10 LRT004
1 : 5

3 Cross section
1 : 15



4 Detail 1
1 : 5



5 Detail 2
1 : 5

General Notes

No.	Revision/Issue	Date

Link
RAILINGS
LINK ALUMINIUM RAILING
589, MIDDIEFIELD ROAD,
SCARBOROUGH, ON
linkaluminiumrailings@gmail.com

LRC-0001 Top Mounted
Corrugated panel system

Project	Sheet
Date 22-04-2022	R3.1
Scale N.T.S.	