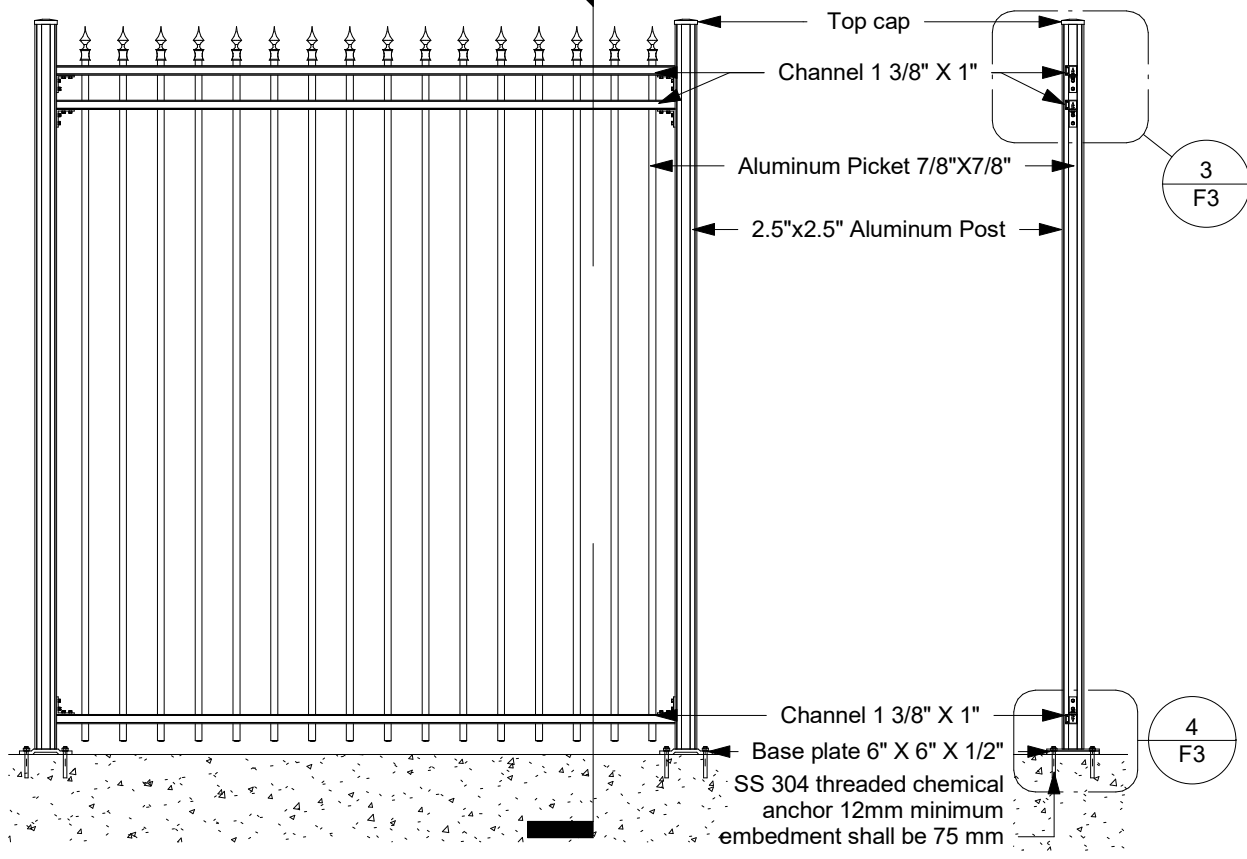
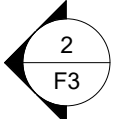
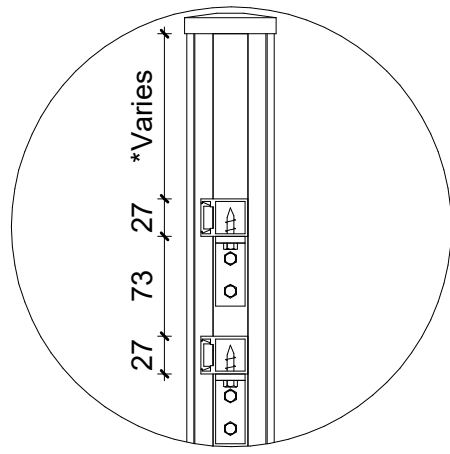


5 Plan  
1 : 20

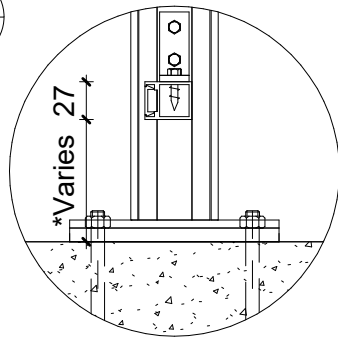


1 Front Elevation  
1 : 20

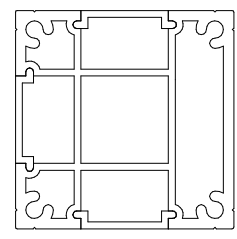
2 Cross section  
1 : 20



3 Detail 1  
1 : 5



4 Detail 2  
1 : 5



6 Post  
1 : 2

General Notes

No.	Revision/Issue	Date

**Link**  
RAILINGS  
LINK ALUMINUM RAILING  
589, MIDDLEFIELD ROAD,  
SCARBOROUGH, ON  
linkaluminumrailing@gmail.com

Modern Picket System

Project	Sheet
Date 22-04-2022	F3
Scale N.T.S.	