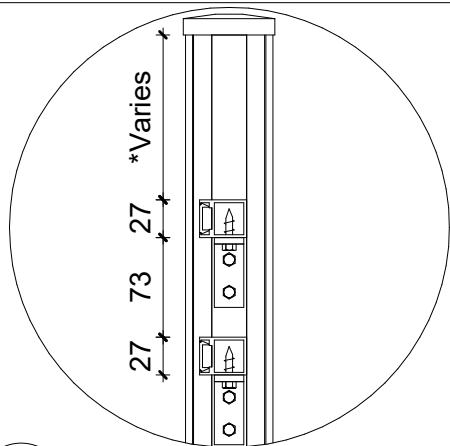
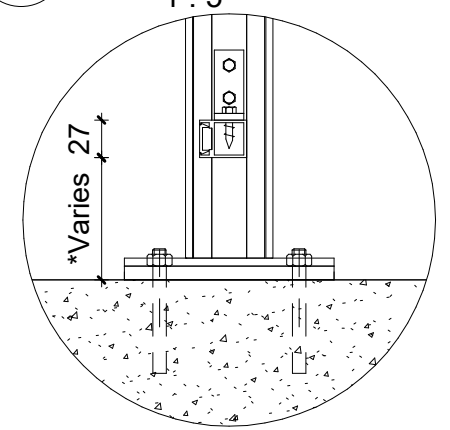


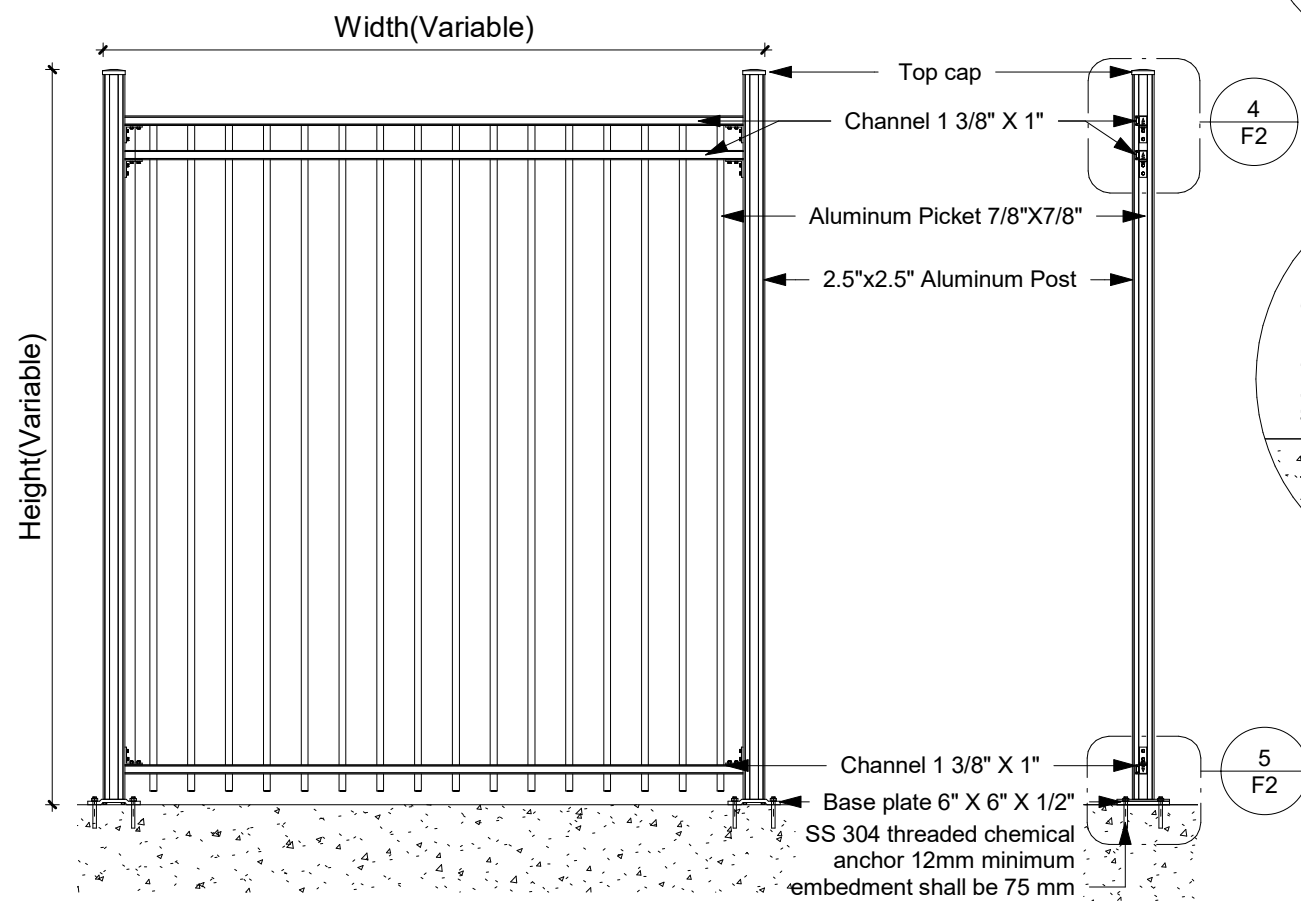
3 Plan
1 : 20



4 Detail 1
1 : 5



5 Detail 2
1 : 5



1 Front elevation
1 : 20

2 Cross section
1 : 20

6 Post
1 : 2

General Notes

No.	Revision/Issue	Date

Link
RAILINGS
LINK ALUMINUM RAILING
589, MIDDLEFIELD ROAD,
SCARBOROUGH, ON
linkaluminumrailing@gmail.com

Classic Picket System

Project	Sheet
Date 22-04-2022	F2
Scale N.T.S.	