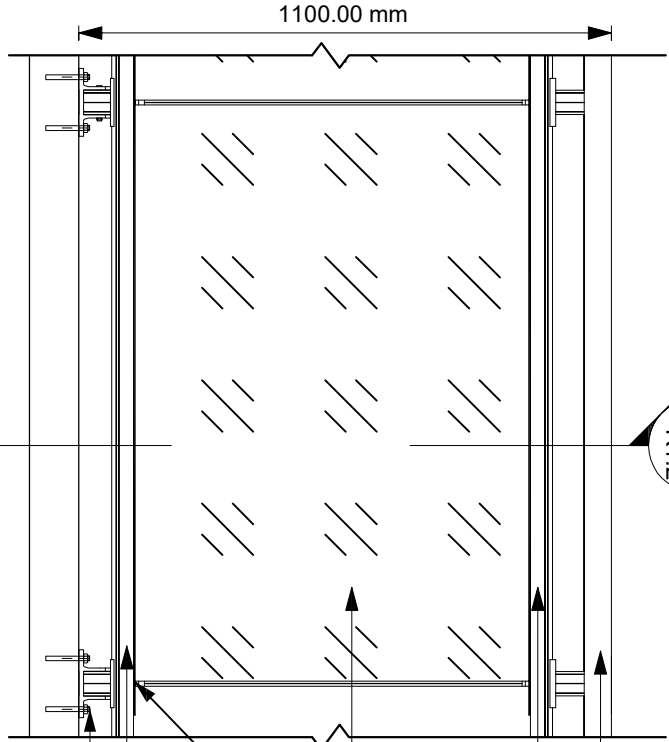
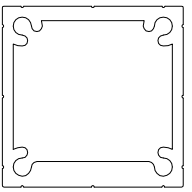


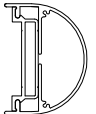
1 Plan
1 : 15



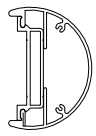
2 Front view
1 : 15



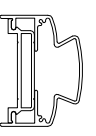
6 LRP001
1 : 2



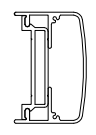
7 LRT001
1 : 5



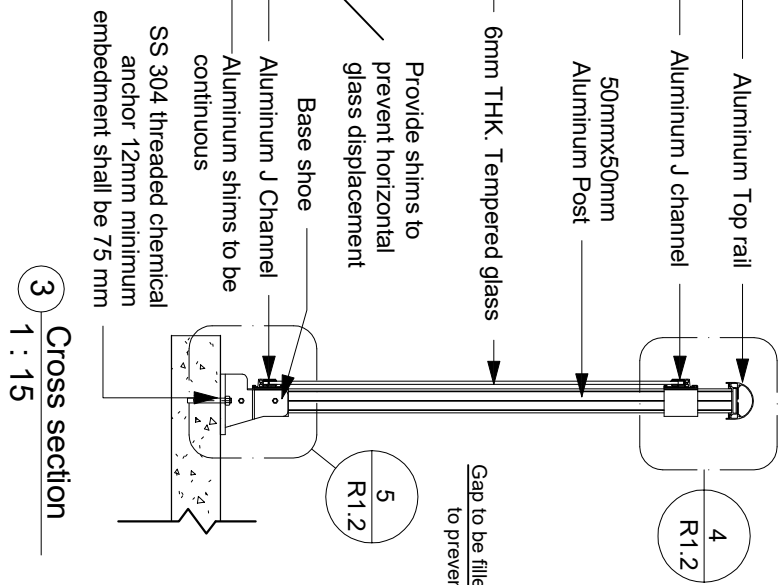
8 LRT002
1 : 5



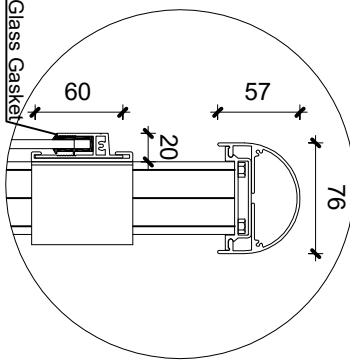
9 LRT003
1 : 5



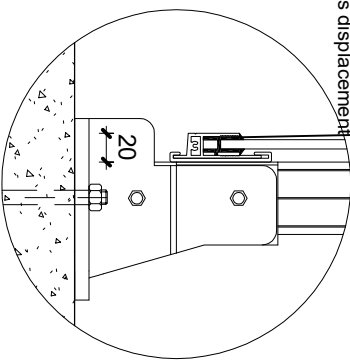
10 LRT004
1 : 5



3 Cross section
1 : 15



4 Detail 1
1 : 5



5 Detail 2
1 : 5

General Notes

No.	Revision/Issue	Date

Link
RAILINGS
LINK ALUMINUM RAILING
589, MIDDLEFIELD ROAD,
SCARBOROUGH, ON
linkaluminumrailing@gmail.com

LRG-0001-A
Top Mounted
Glass Systems

Project	Sheet
Date 22-04-2022	R1.2
Scale N.T.S.	